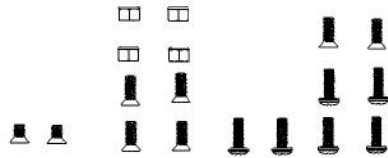
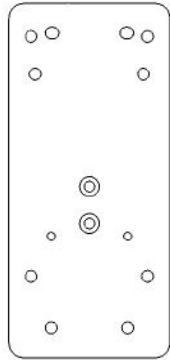


## About the Dynavox Device Plate (DP-DV1)

The Dynavox Device Plate (DP-DV1) attaches a Mount'n Mover Quick Release Plate to the Dynavox V, Vmax, Eyemax, DV4, and MT4, as well as some older Dynavox models.



**A B C D**

Hardware A: (x2) 8-32 x 5/16" Philips flat head for attaching a QRP to the DV1

Hardware B: (x4) 8-32 x 1/2" Philips flat head and (x4) 8-32 nylon lock nuts for attaching a QRP to the DV1 for Eyemax device

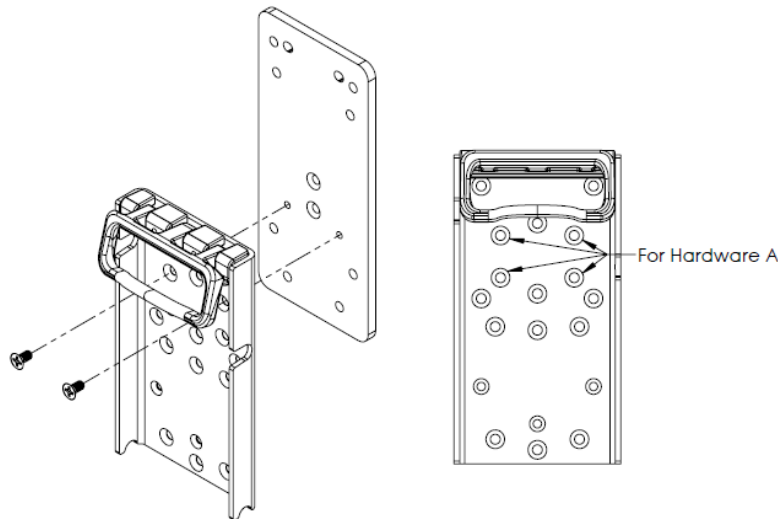
Hardware C: (x2) 8-32 x 1/2" Philips pan head for attaching DV1 to V, Vmax and Eyemax device

Hardware D: (x4) M4 x 17mm Philips pan head for attaching to DV4 device or (x2) M4 x 14mm Philips flat head for attaching to MT4 device

## Attaching the DP-DV1 to a Quick Release Plate

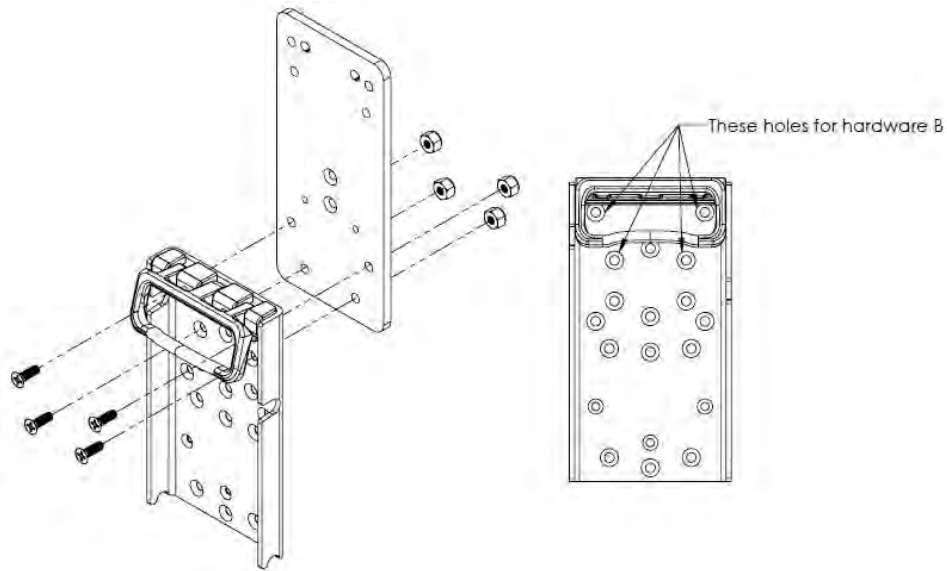
(Note: in the case of the MT4 the device will need to be attached to the DV1 Plate before the DP-DV1 is attached to the Quick Release Plate)

With the exception of attaching to an Eyemax, use hardware A to connect to the Quick Release Plate as shown below. There are two options on the Quick Release Plate. Attach using either the top two holes or bottom two holes shown. Hardware A connects to two threaded holes in the DP-DV1 plate and do not require nuts.



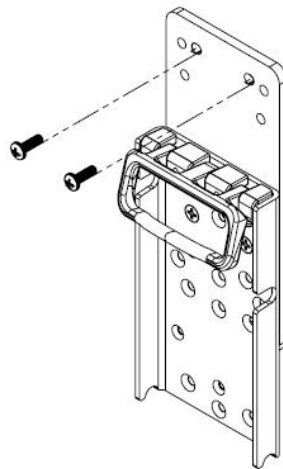
2637 27<sup>th</sup> Ave. S. Suite 209 • Minneapolis, MN 55406  
 Ph: 612-724-7002 • Toll Free: 888-724-7002 • Fax: 888-311-4435  
 info@blueskydesigns.us • www.mountnmover.com

For attaching the Eyemax, use Hardware B in the 4-hole pattern shown below. These screws will require nuts.

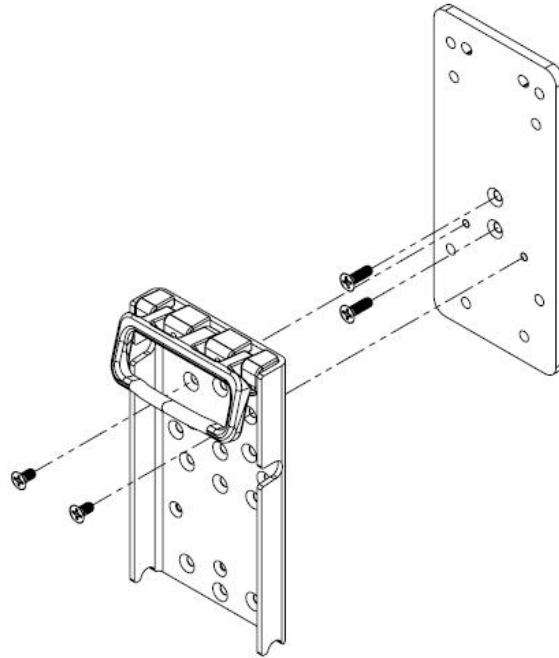


## Attaching to a Device

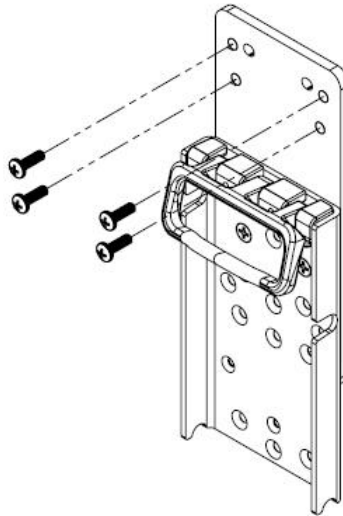
For attaching to the V, Vmax or Eyemax, use hardware C through the top two holes in the DP-DV1 plate. The screws attach directly to the two threaded holes in the back of the devices.



For the MT4 you must first remove the two screws in the back of the device that connect the device stander. Then, using the flat head metric screws in hardware D, attach the DP-DV1 plate to the back of the device using the holes shown. Note that for the MT4, you will have to attach the DP-DV1 plate to the device first, and then attach the QRP to the DP-Dv1 using hardware A.



For the DV4 you must first remove the four screws in the back of the device that connect the device stander. Then, using the four pan head metric screws in hardware D, attach the DP-DV1 plate to the back of the device using the holes shown.



You are now ready to attach the Quick Release Plate to your Mount'n Mover! Refer to page 13 of your Mount'n Mover manual for instructions.