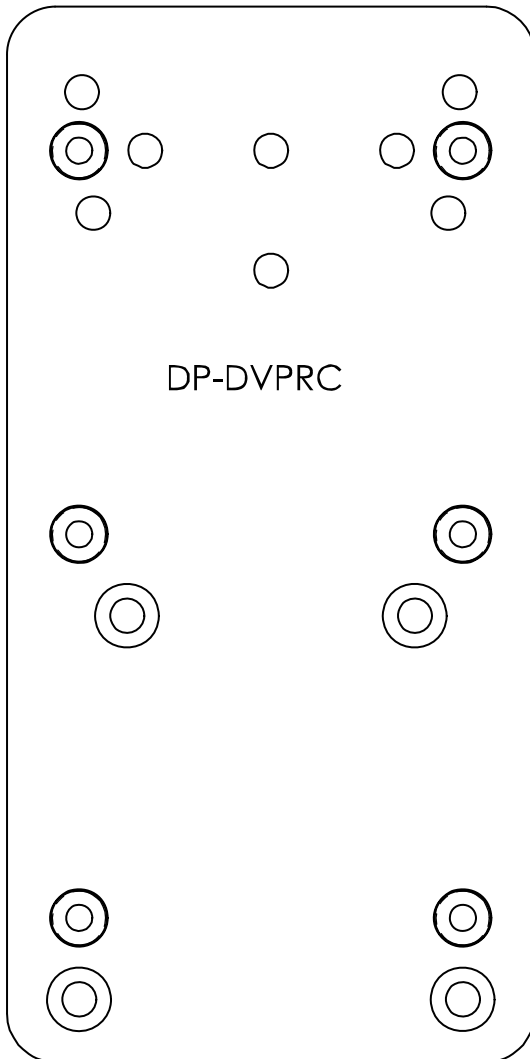
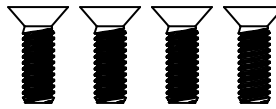


About the PRC Device Plate 1 (DP-PRC1)

The PRC Device Plate (DP-PRC1) attaches a Mount'n Mover Quick Release Plate to the Prentke Romich Company (PRC) Eco2 & Eco2 with EcoPoint devices.



HARDWARE A



HARDWARE B



DP-PRC1 Kit Contents:

1. DP-DVPRC Plate
2. Hardware:
 - A. (4x) – #8-32 x 1/2" Phillips Flat Head Screw
For attaching the DP-PRC1 Plate to your PRC device
 - B. (4x) - #8-32 x 1/4" Phillips Flat Head Screw
For attaching the Quick Release Plate (QRP) to the DP-PRC1 plate

Requirements:

Time : Approx 5 minutes

Tools :

- Phillips Screwdriver
(#2 is recommended)

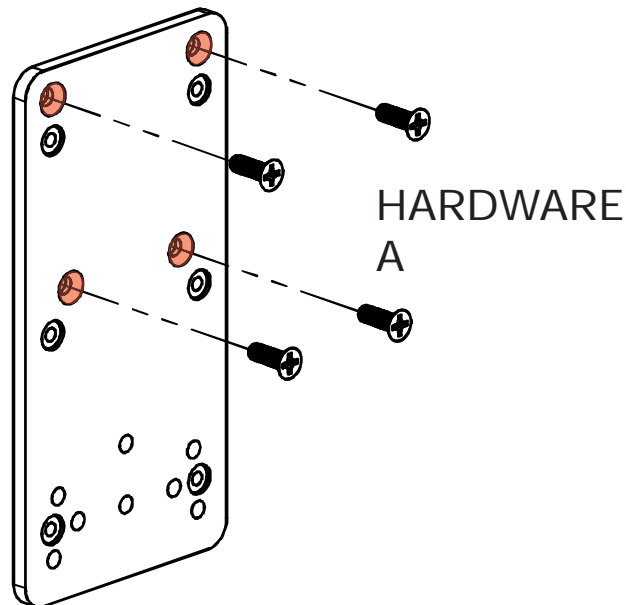


2637 27th Ave. S. Suite 209 • Minneapolis, MN 55406
Ph: 612-724-7002 • Toll Free: 888-724-7002 • Fax: 1-888-311-4435
info@blueskydesigns.us • www.mountnmover.com

Rev. 06/09/2010

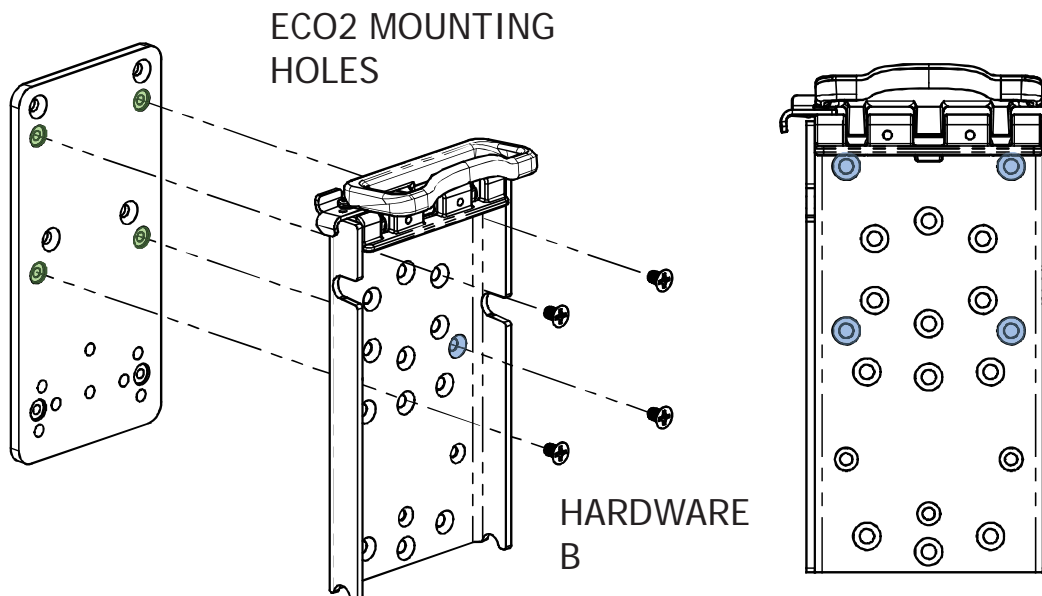
Attaching to a Device

To attach the Prentke Romich ECO2 or ECO Point device to the Mount'n Mover, use hardware A to attach the plate to your device. The screws are inserted into the four highlighted countersunk holes (shown below) and attach directly to four threaded holes in the back of the PRC device.



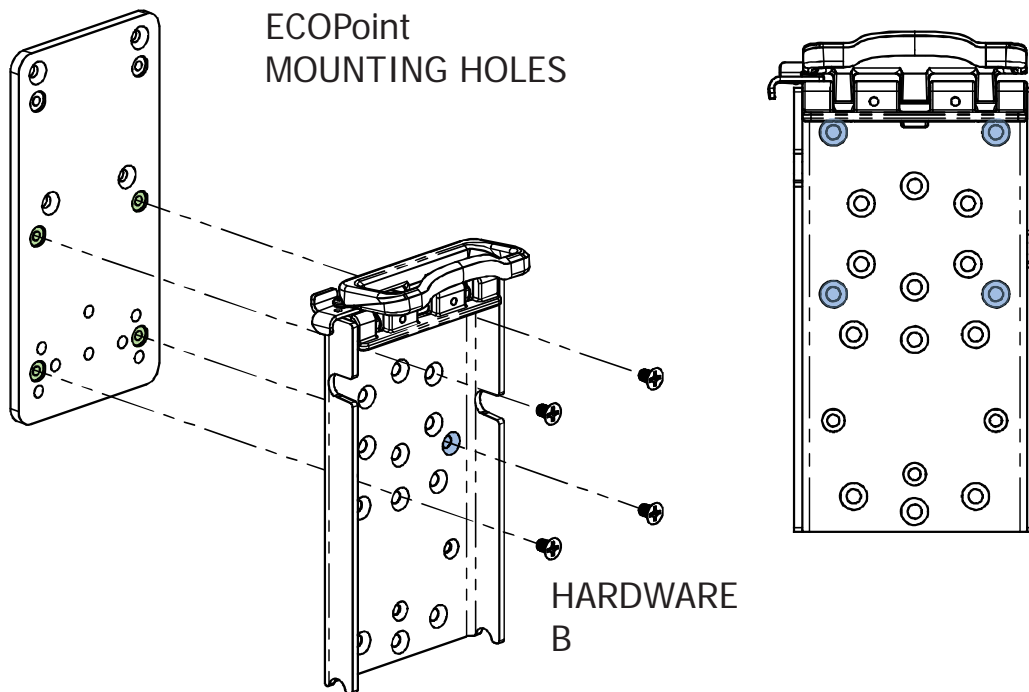
Attaching the DP-PRC1 to a Quick Release Plate for ECO2 Devices

Use hardware B to connect to the Quick Release Plate as shown below.



Attaching the DP-PRC1 to a Quick Release Plate for ECO Point Devices

To clear the additional height of the camera, use hardware B to connect to the Quick Release Plate as shown below.



You are now ready to attach the Quick Release Plate to your Mount'n Mover! Refer to page 13 of your Mount'n Mover manual for instructions.