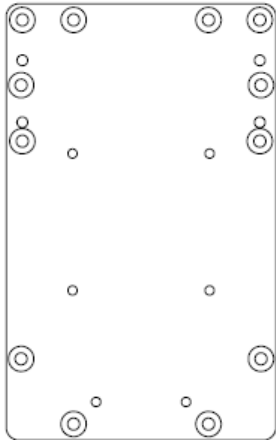


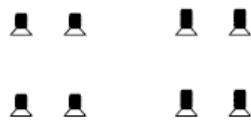
About the Tobii Device Plate (DP-T1)

The Tobii Device Plate (DP-T1) attaches a Mount'n Mover Quick Release Plate to the Tobii P10, C8, C12, CEye and newer models of the Lightwriter device.



Hardware A: (x4) 8-32 x 5/16" Philips flat head for attaching a Mount'n Mover Quick Release Plate (QRP) to the T1

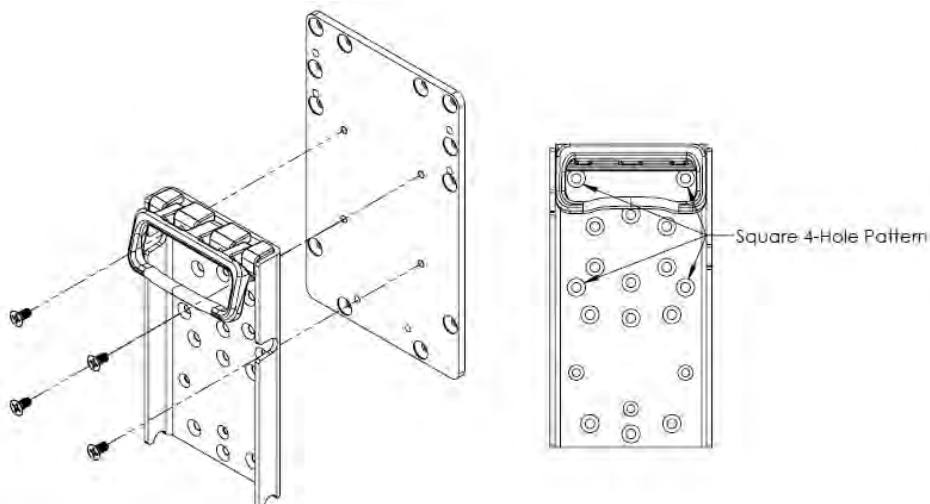
Hardware B: (x4) M4-.7 x 10mm Philips flat head for attaching the T1 device plate to Tobii devices



A B

Attaching the DP-T1 to a Quick Release Plate

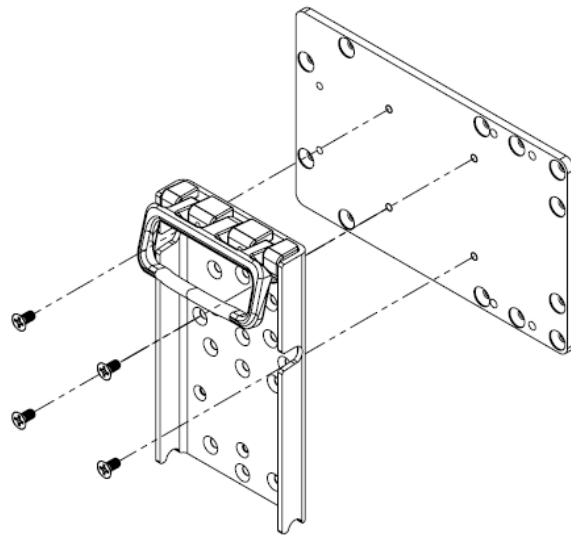
With the exception of attaching to a Lightwriter the DP-T1 plate should be oriented vertically in relation to the QRP. Use the holes shown and Hardware A to attach the QRP to the DP-T1. Note that for the CEye system the DP-T1 can be attached to add extra extension to raise the overall height of the device.



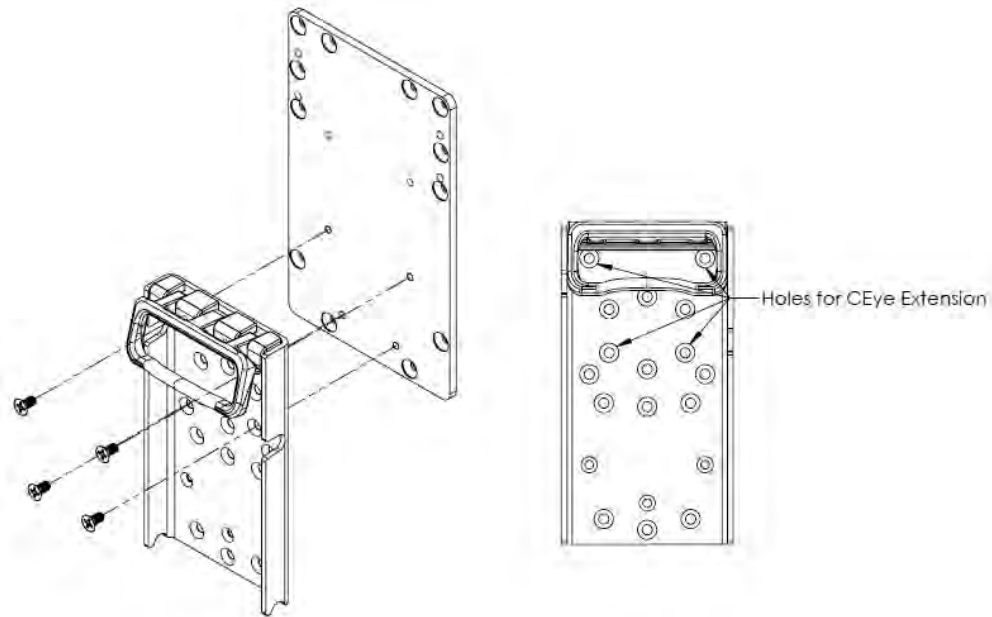
Attachment for the P10, C8 and C12 Devices



2637 27th Ave. S. Suite 209 • Minneapolis, MN 55406
 Ph: 612-724-7002 • Toll Free: 888-724-7002 • Fax: 888.311.4435
 info@blueskydesigns.us • www.mountnmover.com



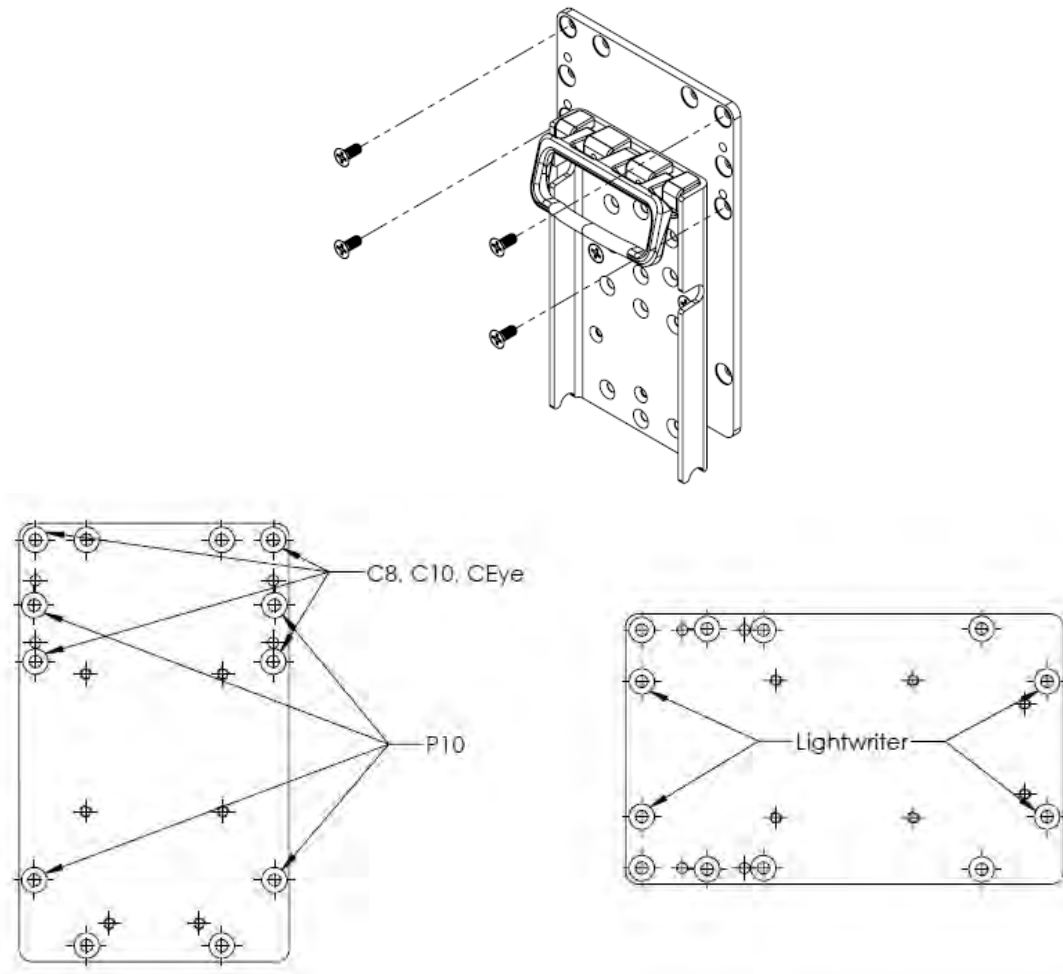
Attachment for the Lightwriter Device



Attachment for the Tobii Eye System

Attaching the DP-T1 to a Tobii Device

Using Hardware B, attach the DP-T1 to your device using whichever 4-hole pattern lines up with the tapped holes on the back of your device. If existing mounting hardware is present it will need to be removed before attaching your DP-T1 device plate.



You are now ready to attach the Quick Release Plate to your Mount'n Mover! Refer to page 13 of your Mount'n Mover manual for instructions.