

About the Universal Rotator (DP-UR)

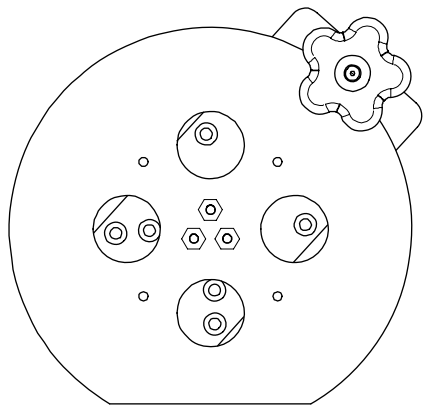
The Universal Rotator (DP-UR) allows for an additional axis of rotation for devices. Friction-based, it allows for infinite locking angles – and is particularly useful for eye-tracking devices and portrait-to-landscape devices. The Universal Rotator works for all* BlueSky Designs device plates.

DP-UR Kit Contents:

1. Universal Rotator (DP-UR)

2. Hardware:

- A. (4x) - #8-32 3/16" Phillips Flat Head Screw
For attaching the QRP to the DP-UR



A
▼
▼
▼
▼

DP-UR
(not to scale)

Requirements:

Time : Approx 10 minutes

Tools :

- Phillips Screwdriver
(#2 is recommended)

Other Components:

- Quick Release Plate (QRP)
- Device Attachment Plate / Trays **:
 - DP-DV1
 - DP-DV2
 - DP-PRC1
 - DP-T1
 - DP-AN1
 - Any BlueSky Designs tray

*** The hardware from any of these device plates are required to attach to the Universal Rotator*

* Some older BlueSky Designs device plates are incompatible – please contact BlueskyDesigns for support
** The hardware from any of these device plates are required to attach to the Universal Rotator



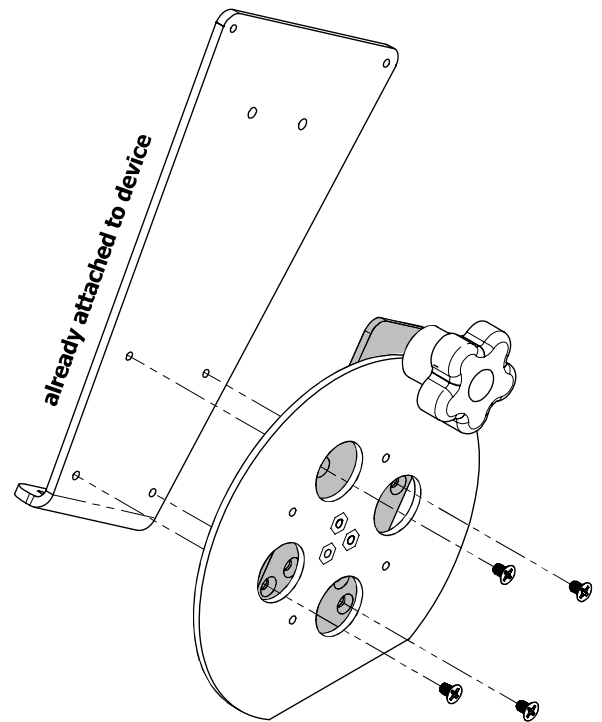
Attaching the Universal Rotator (DP-UR) to the Device Plate

Note: If using a device plate, it must already be attached to the device. See specific attachment instructions for each plate.

Spin the Universal Rotator (DP-UR) so you have access to the countersunk holes on the black component.

Orient the device so that the knob on the Universal Rotator is facing up for best access.

Using the four screws that came with the device plate – screw the Universal Rotator to the device plate using the Phillips screwdriver (*the example above shows the DP-DV2*).



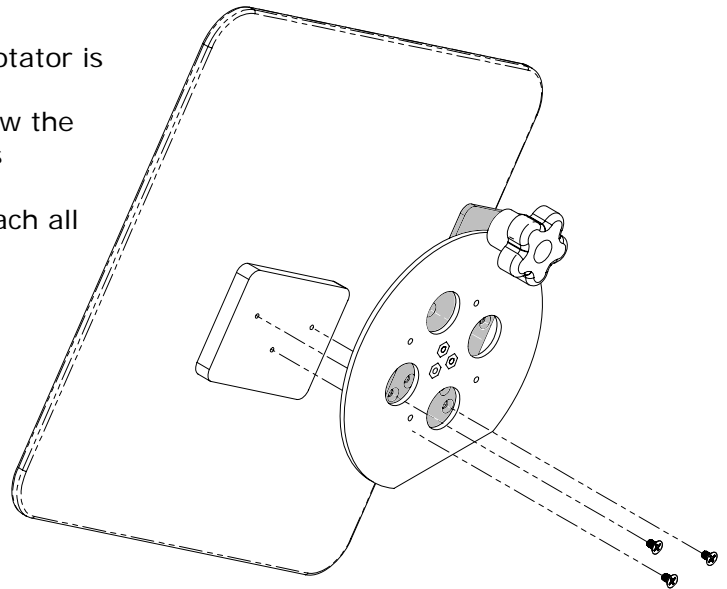
Attaching the Universal Rotator (DP-UR) to a tray

Spin the Universal Rotator (DP-UR) so you have access to the countersunk holes on the black component.

Orient the device so that the knob on the Universal Rotator is facing up for best access.

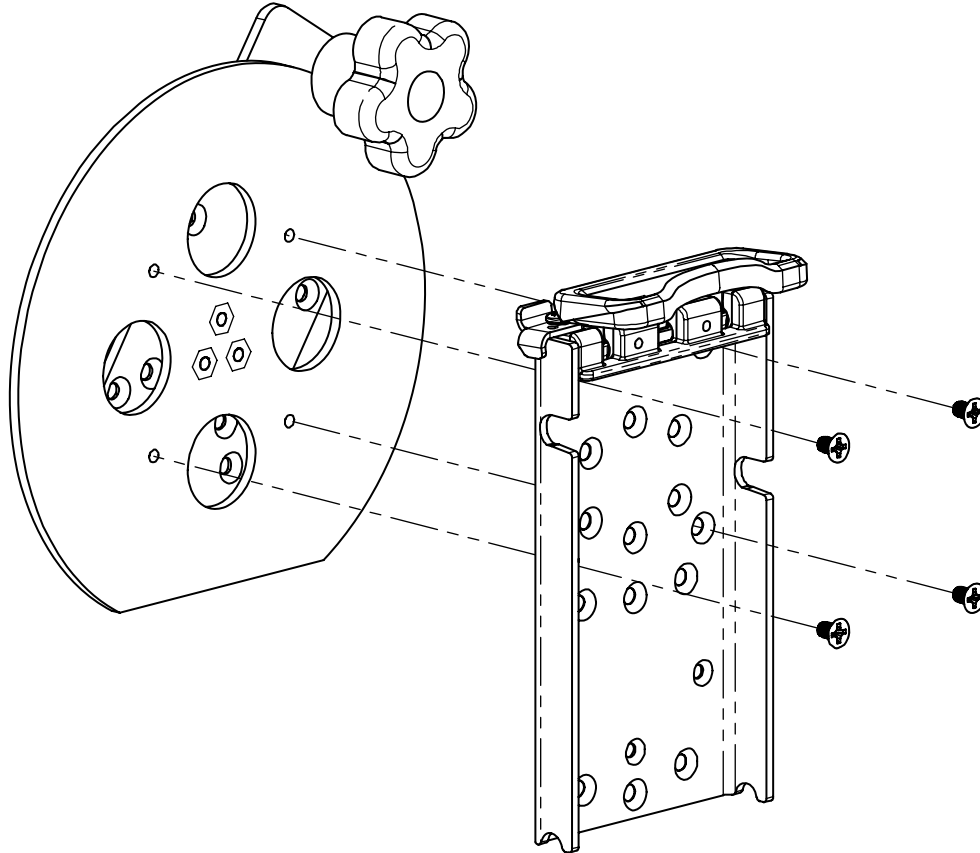
Using the three screws that came with the tray – screw the Universal Rotator to the device plate using the Phillips screwdriver.

You will have to re-orient the Universal Rotator to attach all three screws.



Attaching the Quick Release Plate (QRP) to the Universal Rotator (DP-UR)

Using hardware A (four #8-32 x 3/16" screws) – attach the Quick Release Plate to the Universal Rotator.



You are now ready to attach the Quick Release Plate to your Mount'n Mover! Refer to page 13 of your Mount'n Mover manual for instructions.