

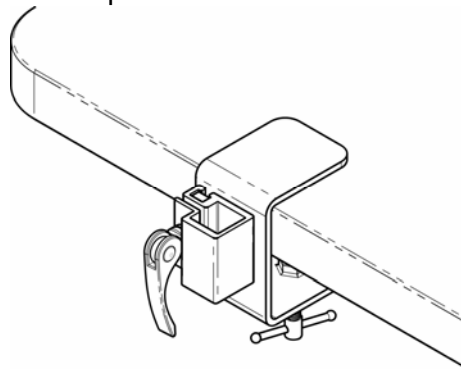
## About the Table Clamp

The table clamp is used to create an alternate mounting location off of a table or flat surface. After mounting the table clamp, you now have another mounting location for a Mount'n Mover or Tilt'n Turner.

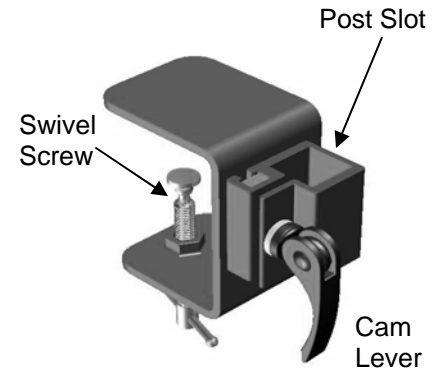
## Attaching the Table Clamp

- Pick an area of the table where you want the table clamp to be mounted.
- Make sure the swivel screw is unscrewed far enough so that it can fit underneath a table.
- Place the mouth of the table clamp around the surface of the table.
- Make sure the back side of the clamp is flush with the edge of the table.
- Tighten the swivel screw until it clamps down on the table securely.

Table clamp should look like this when properly attached

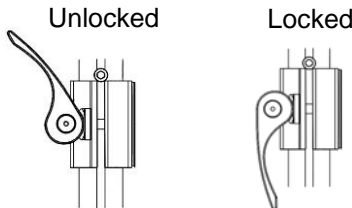


## Table Clamp

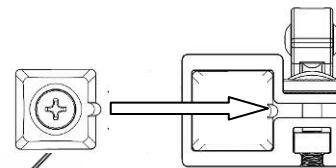


## Inserting a Post into the Table Clamp

- Unlock the cam clamp lever



- Line up the post cap ridge with the gap in the square clamp.



- Drop the post into the square clamp slot

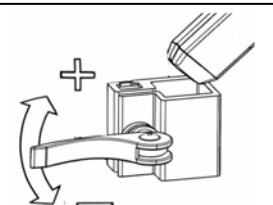


- Lock the cam clamp



### Note:

If the post won't fit into the square clamp, or if the post can still move up and down when the cam clamp is locked, try loosening (-) or tightening (+) the cam clamp.

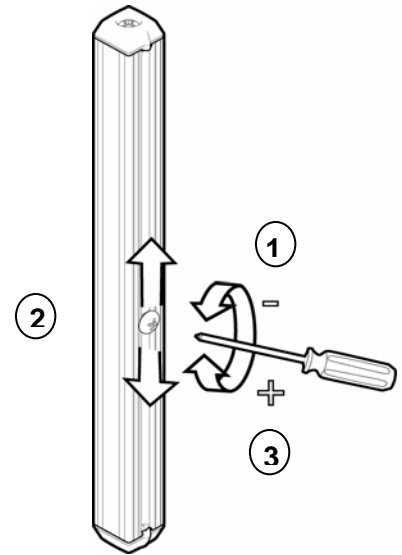


# Post Height Adjustment

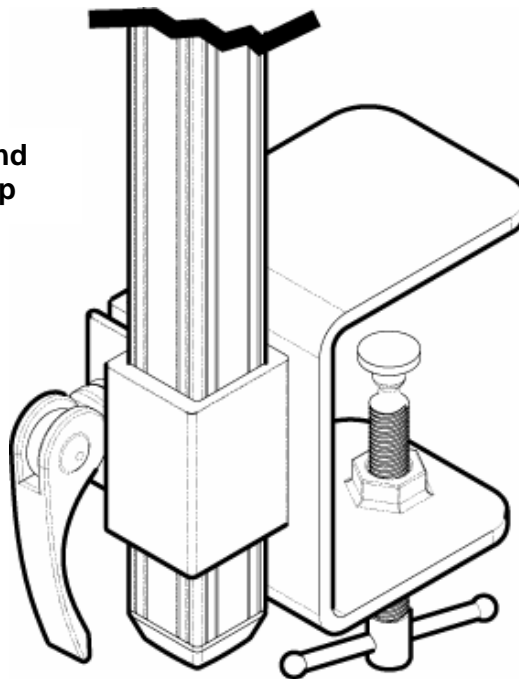
- The height adjustment screw provides a consistent mount height, limiting how low it goes when you insert the post.
- The top of the post determines the mount height.
- Once the mount is attached, the height can be easily readjusted.

## To adjust the post height:

1. Loosen height adjustment screw using a Phillips screwdriver.
2. Move the screw up or down.
3. Tighten height adjustment screw at desired setting.



Post shown inserted and locked into table clamp



Designed and manufactured by BlueSky Designs.  
For more information and Technical Support, contact BlueSky Designs at 1-888-724-7002.