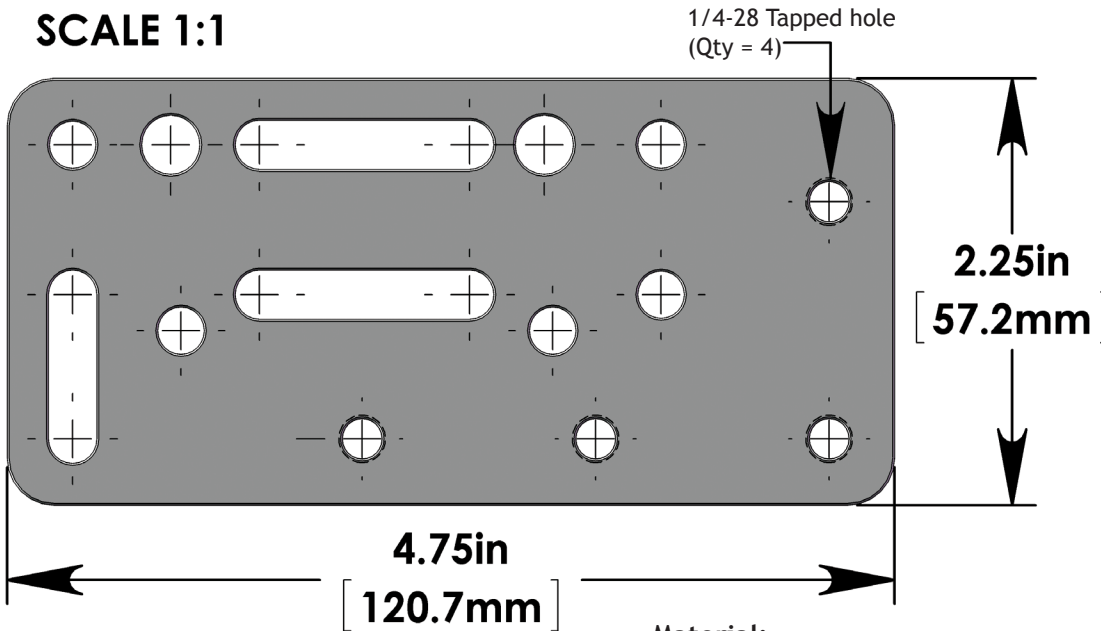


# Adapter Plate 2 (WC-AP2) Multi-Use Plate

SCALE 1:1



**Material:**  
0.250" (6.35 mm) laser cut steel  
**Coating:**  
Electroless nickel

## Set Includes:

(1) Adapter Plate 2 (WC-AP2)

### Hardware - Plate to Plate Attachment

(2) 1/4-28 x 1/2" Socket head cap screws

### Hardware - Through Holes in Frame:

(2) 1/4-28 x 1 5/8" Socket head cap screws

(2) 1/4-28 lock nut

### Hardware - Unitrack:

(4) M6-1 x 14 Socket head cap screws

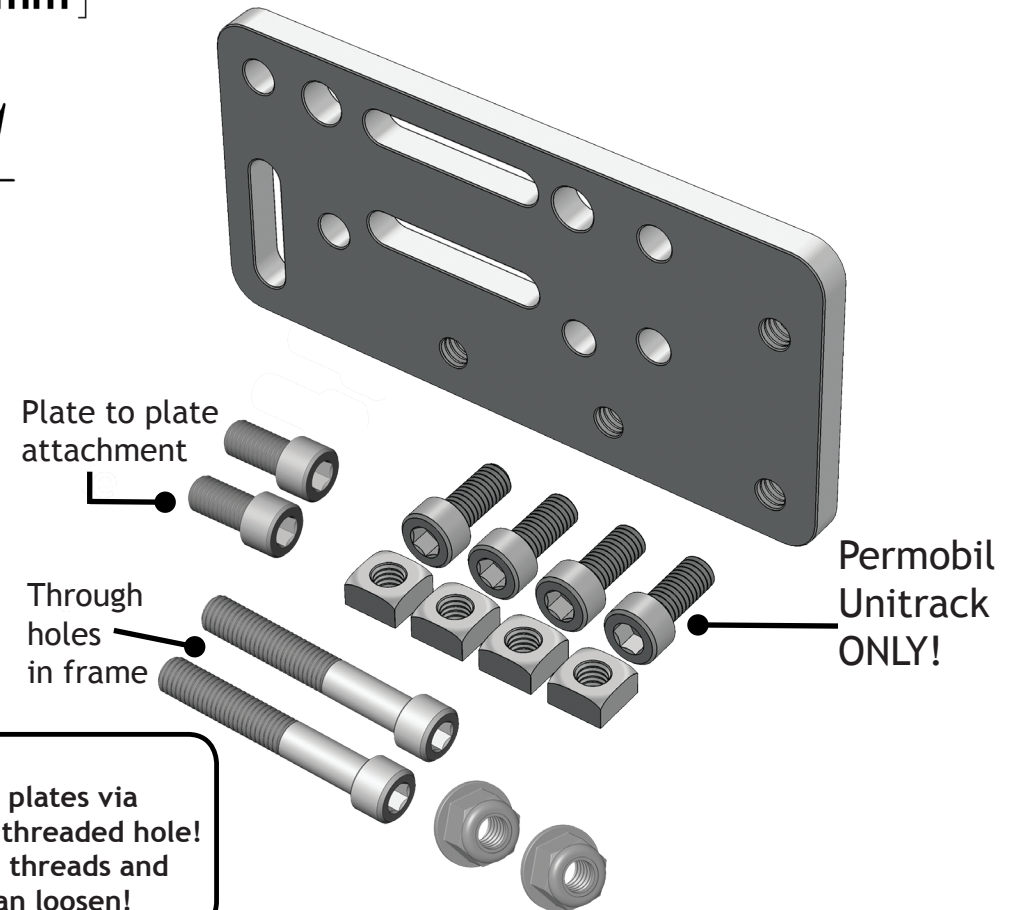
(4) M6-1 x 10 Square nut

## Plate to Plate Attachment Options

- Non-threaded hole to threaded hole = Good
- Non-threaded hole to non-threaded hole with nut = Good
- Threaded hole to threaded hole = Not good  
(will damage threads!)

## Hole Pairing Options

- Two holes = BEST
- Hole and slot (horizontal or vertical) = Good
- Slot and slot (both horizontal) = Good
- Two vertical slots = NOT GOOD! (could slip!)



**Mount'n Mover™**  
by BlueSky Designs

[mountnmover.com](http://mountnmover.com)

**Product:** WC-AP2, Adapter Plate 2

**Weight:** 10.0 oz. (0.28 kg)

1-888-724-7002 (toll free) or 1-612-724-7002

pg 1 of 1

# Wheelchair Attachment Overview

\* All plates are considered 'multi-use plates' and can be configured, combined, and used in a variety of ways.

