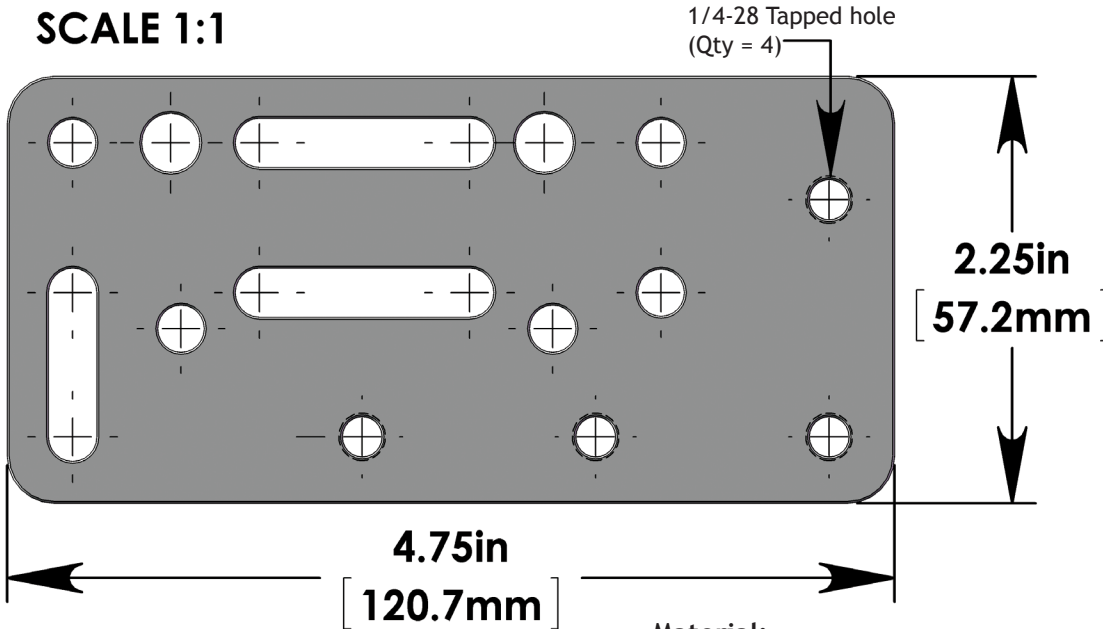


Adapter Plate 2 (WC-AP2) Multi-Use Plate

SCALE 1:1



Material:
0.250" (6.35 mm) laser cut steel
Coating:
Electroless nickel

Set Includes:

(1) Adapter Plate 2 (WC-AP2)

Hardware - Quantum:

- (1) 5/16-18 x 1 Hex cap screw

Hardware - Plate to Plate Attachment

- (2) 1/4-28 x 1/2" Socket head cap screws

Hardware - Through Holes in Frame:

- (2) 1/4-28 x 1 5/8" Socket head cap screws
- (2) 1/4-28 lock nut

Hardware - Unitrack:

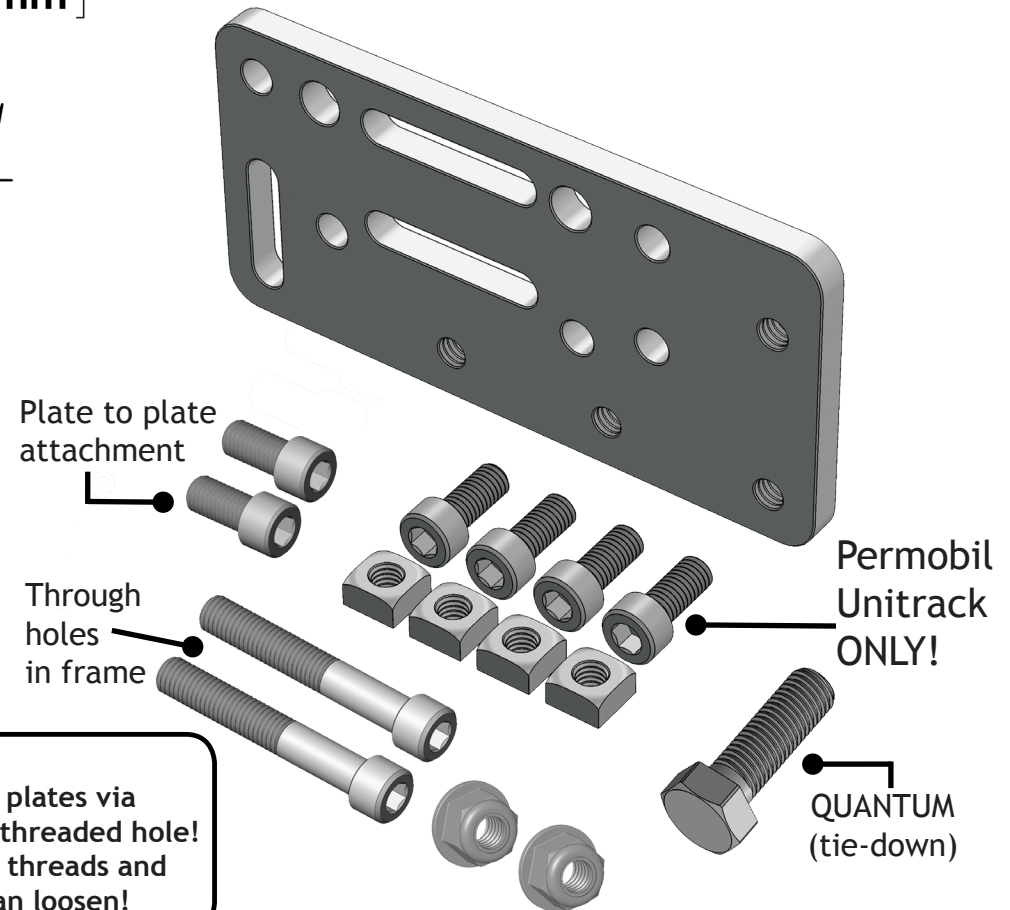
- (4) M6-1 x 14 Socket head cap screws
- (4) M6-1 x 10 Square nut

Plate to Plate Attachment Options

- Non-threaded hole to threaded hole = Good
- Non-threaded hole to non-threaded hole with nut = Good
- Threaded hole to threaded hole = Not good
(will damage threads!)

Hole Pairing Options

- Two holes = BEST
- Hole and slot (horizontal or vertical) = Good
- Slot and slot (both horizontal) = Good
- Two vertical slots = NOT GOOD! (could slip!)



WARNING!

Never attach two plates via threaded hole to threaded hole! This damages the threads and the connection can loosen!

Mount'n Mover™
by BlueSky Designs

mountnmover.com

Product: WC-AP2, Adapter Plate 2
Weight: 10.0 oz. (0.28 kg)

1-888-724-7002 (toll free) or 1-612-724-7002

pg 1 of 1

Wheelchair Attachment Overview

* All plates are considered 'multi-use plates' and can be configured, combined, and used in a variety of ways.

