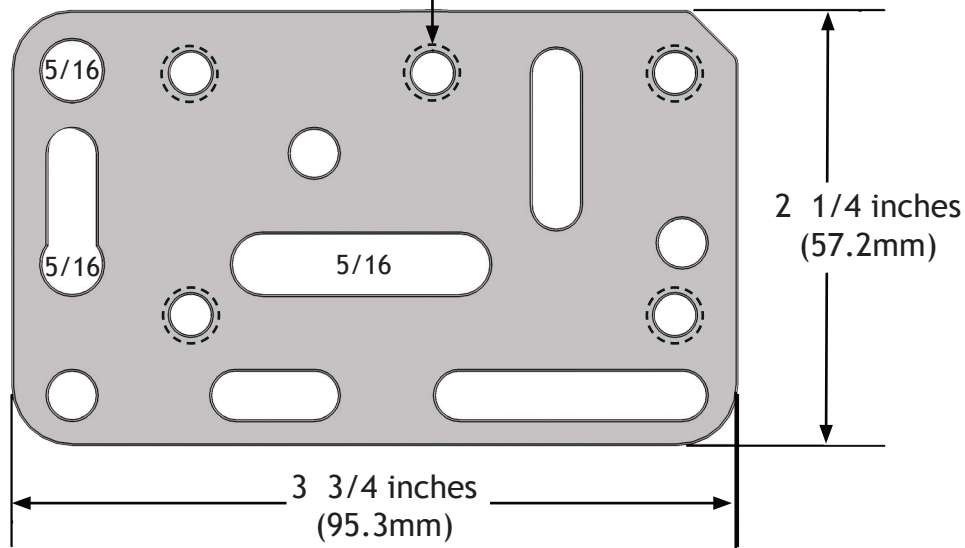


Adapter Plate 4 (WC-AP4) Multi-Use Plate

Scale 1 : 1

1/4-28 threaded Hole (Qty = 5)



Set Includes:

(1) Adapter Plate 4 (WC-AP4)

Hardware - Plate to Plate Attachment

(2) 1/4-28 x 1/2" Socket head cap screws

Hardware - Quantum:

(1) 5/16-18 x 1 Hex cap screw

Hardware - Unitrack:

(4) M6-1 x 14 Socket head cap screws

(4) M6-1 x 10 Square nut

Hardware - Through Holes in Frame:

(2) 1/4-28 x 1 5/8" Socket head cap screws

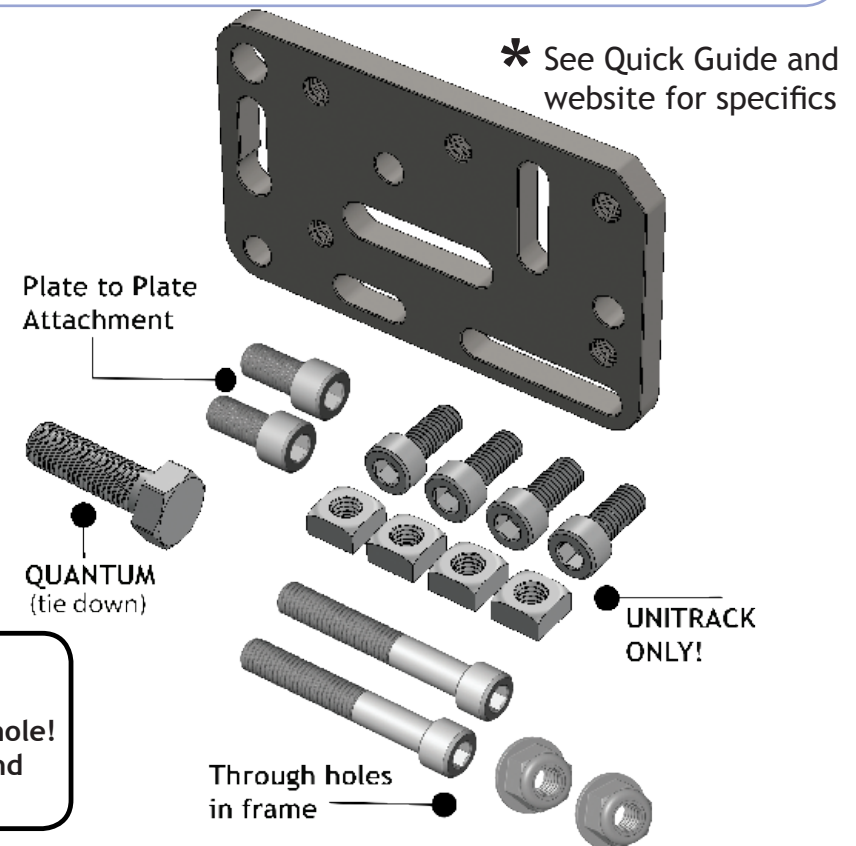
(2) 1/4-28 Lock nut

Plate to Plate Attachment Options

- Non-threaded hole to threaded hole = Good
- Non-threaded hole to non-threaded hole with nut = Good
- Threaded hole to threaded hole = Not good
(will damage threads!)

Hole Pairing Options

- Two holes = BEST
- Hole and slot (horizontal or vertical) = Good
- Slot and slot (both horizontal) = Good
- Two vertical slots = NOT GOOD! (could slip!)



WARNING!

Never attach two plates via threaded hole to threaded hole! This damages the threads and the connection can loosen!

Mount'n Mover™
by BlueSky Designs

mountnmover.com

Product: WC-AP4, Adapter Plate 4

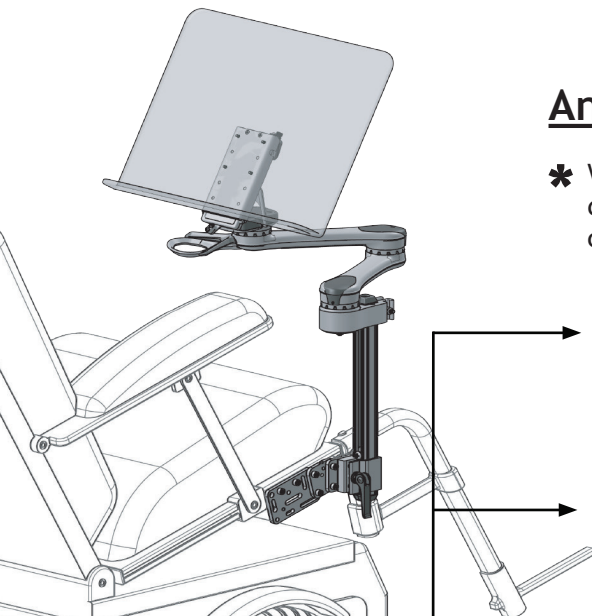
Weight: 7.3 oz. (0.21 kg)

1-888-724-7002 (toll free) or 1-612-724-7002

pg 1 of 2

Wheelchair Attachment Overview

* All plates are considered 'multi-use plates' and can be configured, combined, and used in a variety of ways.

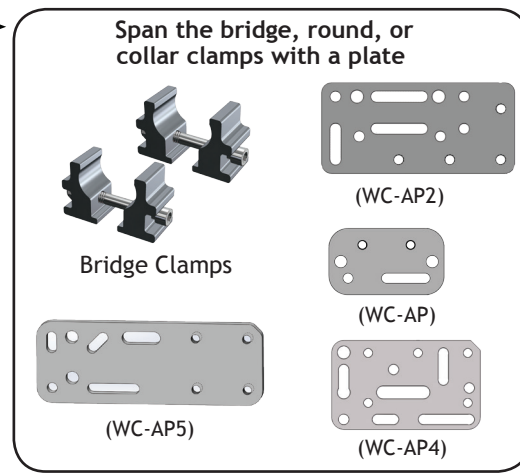
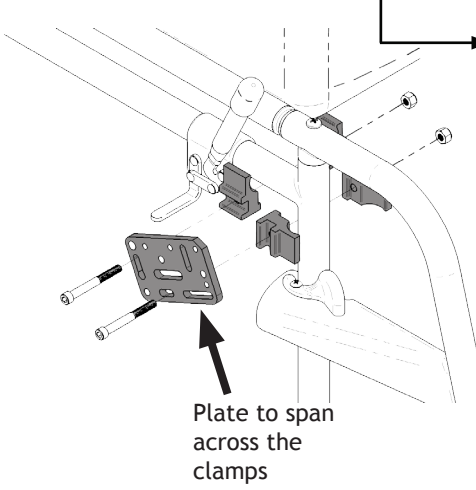
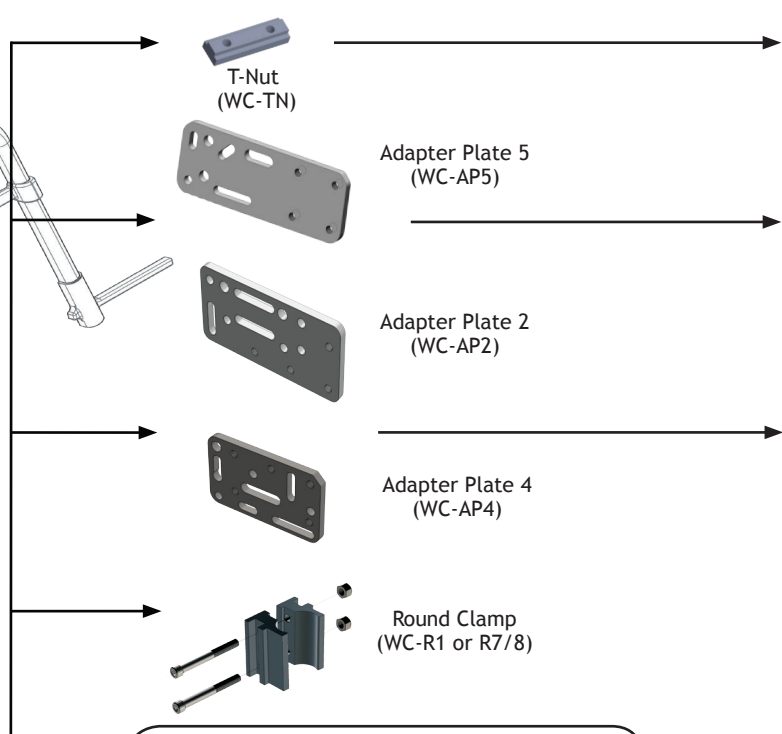


Anchor to Chair

* What you use will depend on what kind of chair frame you have.

- Round tubing
- Slide track
- Hole-spacing
- Tie-Down

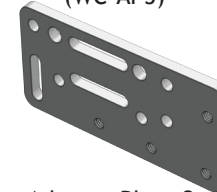
Start with a power or manual wheelchair



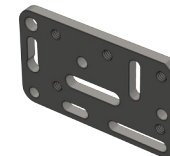
OPTIONAL OFFSET



Adapter Plate 5 (WC-AP5)



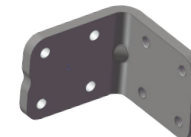
Adapter Plate 2 (WC-AP2)



Adapter Plate 4 (WC-AP4)

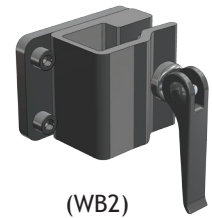


Angle Adjust Plate (WC-APAP)



L-Angle Extension Plate (WC-LAE)

Wheelchair Bracket



(WB2)

WARNING!

Never attach two plates via threaded hole to threaded hole! This damages the threads and the connection can loosen!

