

Adapter Plate 4 (WC-AP4) Multi-Use Plate

Scale 1 : 1

1/4-28 threaded Hole (Qty = 5)

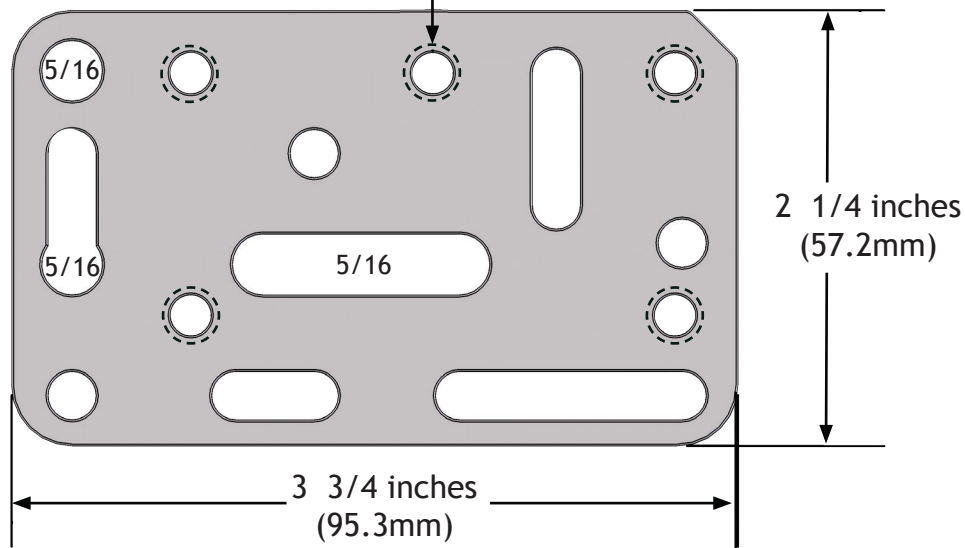


Plate to Plate Attachment Options

- Non-threaded hole to threaded hole = Good
- Non-threaded hole to non-threaded hole with nut = Good
- Threaded hole to threaded hole = Not good (will damage threads!)

Hole Pairing Options

- Two holes = **BEST**
- Hole and slot (horizontal or vertical) = Good
- Slot and slot (both horizontal) = Good
- Two vertical slots = **NOT GOOD!** (could slip!)

Set Includes:

(1) Adapter Plate 2 (WC-AP2)

Hardware - Corpus:

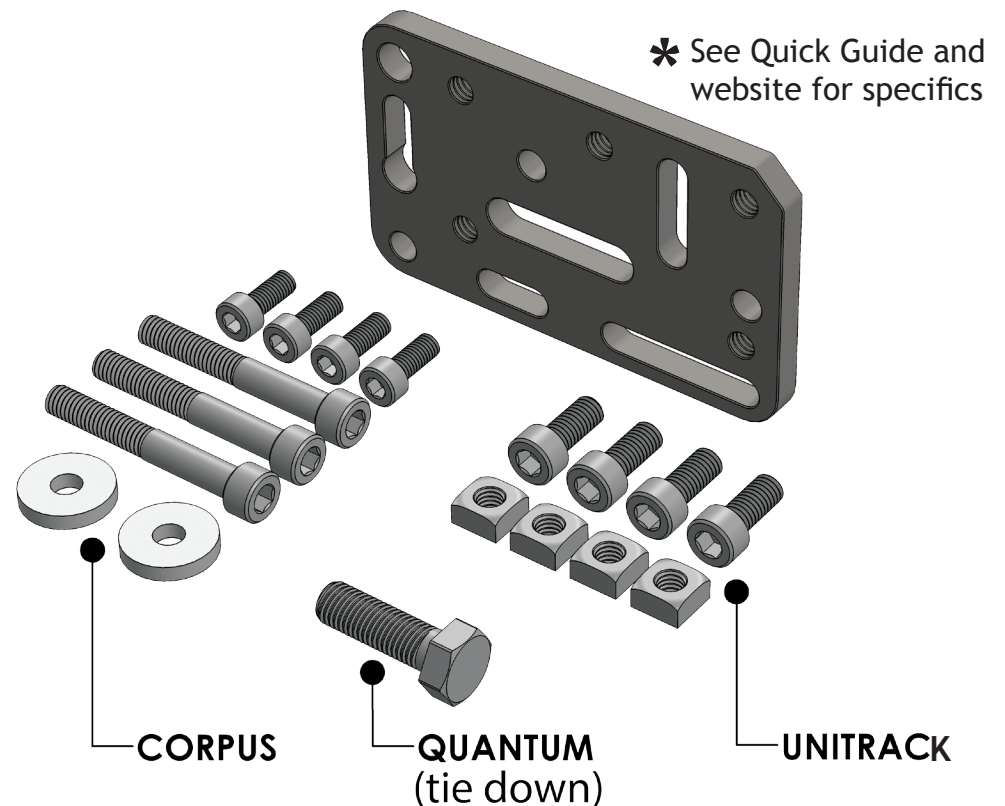
- (4) M5-.8 x 12 Socket head cap screws
- (3) M6-1 x 45 Socket head cap screws
- (2) 0.25 x 0.715 x 0.125 Plastic washer

Hardware - Quantum:

- (1) 5/16-18 x 1 Hex cap screw

Hardware - Unitrack:

- (4) M6-1 x 14 Socket head cap screws
- (4) M6-1 x 10 Square nut



Mount'n Mover™
by BlueSky Designs

mountnmover.com

Product: WC-AP4, Adapter Plate 4

Weight: 7.3 oz. (0.21 kg)

1-888-724-7002 (toll free) or 1-612-724-7002

pg 1 of 2

Wheelchair Attachment Overview

* All plates are considered 'multi-use plates' and can be configured, combined, and used in a variety of ways.

