

Adapter Plate 5 (WC-AP5) Multi-Use Plate

Scale 1 : 1

1/4-28 threaded Hole (Qty = 4)

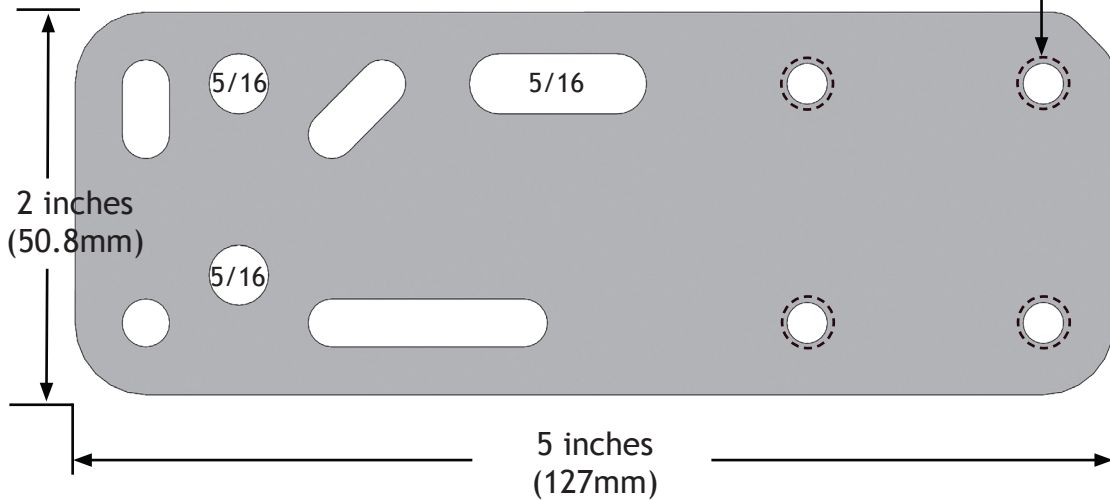


Plate to Plate Attachment Options

- Non-threaded hole to threaded hole = Good
- Non-threaded hole to non-threaded hole with nut = Good
- **Threaded hole to threaded hole = Not good (will damage threads!)**

Hole Pairing Options

- Attaching with two holes = **BEST**
- Hole and slot (horizontal or vertical) = Good
- Slot and slot (both horizontal) = Good
- Two vertical slots = **NOT GOOD!** (could slip!)

*See Quick Guide and website for specifics

Set Includes:

(1) Adapter Plate 5 (WC-AP5)

Hardware - Quantum:

(1) 5/16-18 x 1 Hex cap screw

Hardware - Plate to Plate Attachment

(2) 1/4-28 x 1/2" Socket head cap screws

Hardware - Through Holes in Frame:

(2) 1/4-28 x 1 5/8" Socket head cap screws

(2) 1/4-28 lock nut

Hardware - Unitrack:

(4) M6-1 x 14 Socket head cap screws

(4) M6-1 x 10 Square nut

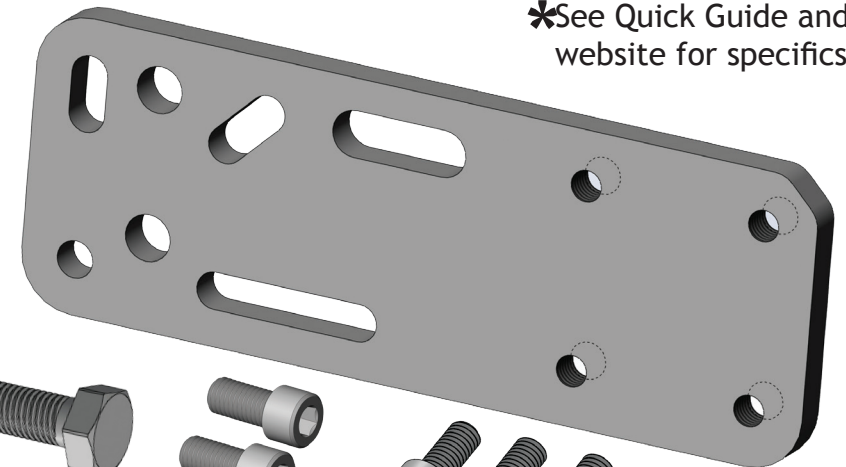
QUANTUM
(tie-down)

Plate to Plate
Attachment

WARNING!
Never attach two plates via threaded hole to threaded hole!
This damages the threads and the connection can loosen!

Through
holes
in frame

Permobil
UNITRACK
ONLY!



Mount'n Mover™
by BlueSky Designs

mountnmover.com

Product: WC-AP5, Adapter Plate 5

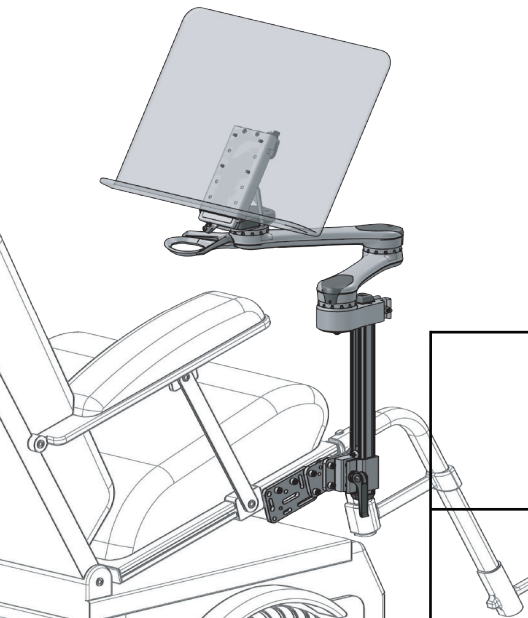
Weight: 10.6 oz. (0.3 kg)

1-888-724-7002 (toll free) or 1-612-724-7002

pg 1 of 2

Wheelchair Attachment Overview

* All plates are considered 'multi-use plates' and can be configured, combined, and used in a variety of ways.

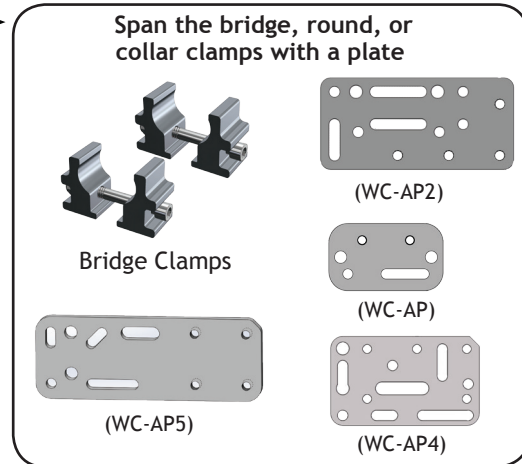
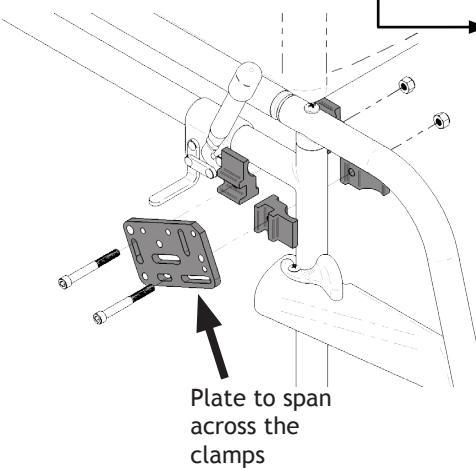
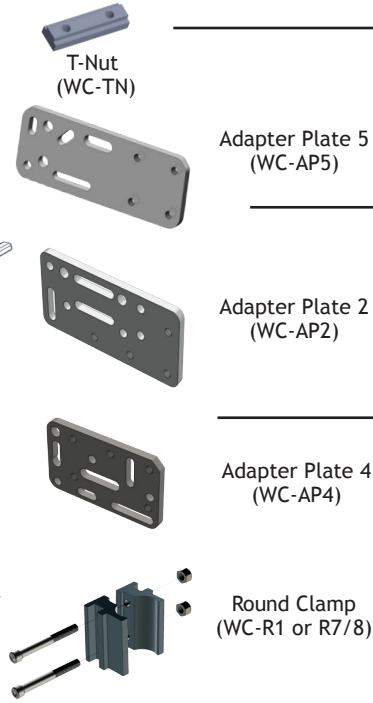


Anchor to Chair

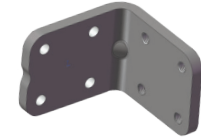
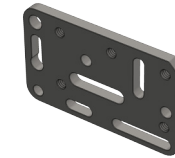
* What you use will depend on what kind of chair frame you have.

- Round tubing
- Slide track
- Hole-spacing
- Tie-Down

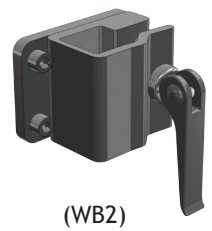
Start with a power or manual wheelchair



OPTIONAL OFFSET



Wheelchair Bracket



WARNING!

Never attach two plates via threaded hole to threaded hole! This damages the threads and the connection can loosen!

