



Mount'n Mover™
by BlueSky Designs

Download our catalog at:
mountnmover.com/catalog

The Mount'n Mover
wheelchair mounting system

**Move it easily and
independently!**

no tools required

Mount'n Mover™

by BlueSky Designs

WELCOME TO THE MOUNT'N MOVER COMMUNITY!

BlueSky Designs is proud to bring you its unique mounting solution. Our Mount is manufactured in the US by the same team that designed it with the input of therapists, people with disabilities and their families.

Mount'n Mover's ergonomic controls make adjustments easy. With its simple setup and memory lock positions; your Mount'n Mover will consistently lock in, move, and return to, any position that works for you. Its features include:

- ▲ Solid, secure mounting
- ▲ One-handed operation
- ▲ Low effort, easy access levers to unlock and reposition
- ▲ Quick and easy tilt adjustment, without tools
- ▲ Customizable lock positions—24 possibilities per joint
- ▲ Quick device change out

Take a minute to review the materials and parts included with your Mount'n Mover. We've included a manual to show how to operate and set up the Mount'n Mover. For up-to-date specific attachment instructions, check out our website: www.mountnmover.com. We have an array of informational videos, step-by-step instructions and diagrams on the Support section of our site.

Our friendly staff is available for tech support and questions by email (info@blueskydesigns.us), phone 612-724-7002 or 1-888-724-7002 (US toll-free) and Skype (mountnmover).

Once you've installed the Mount'n Mover, please take time to connect with our community of users on our Facebook site. Our enthusiastic users can also offer helpful hints and suggestions.

Available since 2008, the Mount'n Mover began as a custom design for a teenager who needed to communicate and use her computer at the same time. This practical request produced a rudimentary movable mount which—coupled with Dianne's years of custom rehab engineering experience—became the precursor to the Mount'n Mover product which launched 10 years later.

Our goal is to provide a flexible and customizable solution to make it easier for you to do what you want to do. If you think there's something we could do to make it even better, let us know!

Thank you for choosing the Mount'n Mover,

The BlueSky Team

BlueSky Designs, Inc.
2637 27th Ave South Suite 209 Minneapolis, MN 55406
p: 612.724.7002 toll-free US: 888.724.7002
f: 612.724.7004 toll-free fax US: 888.311.4435

e: info@blueskydesigns.us
www.mountnmover.com
www.blueskydesigns.us

HELPFUL TOOLS:

Mount'n Mover™
by BlueSky Designs
THE MOUNT MENTOR EVAL SHEET

Need help building a mounting system? Please complete the following steps and return to: info@blueskydesigns.us

Step 1. Complete section A
Step 2. Take photos as described in section B
Step 3. Provide post length determined in section C
Step 4. Complete wheelchair frame information in section D

* We will contact you with a quote. Additional support for installation and use is available via phone, Skype, or email.

(A) Lets get started... first we need some information:

Client Section
Organization _____
Name _____
Title _____ Phone # _____
Email _____

Client (Optional)
Name (initials) _____
Age _____ Diagnosis _____

Client Characteristics
How does client access their device?
Direct Select Switch Engage/Head Tracker

Attach to: (check all that apply)
 Wheelchair (Make/model) _____
 Power _____
 Manual _____
With manual w/c does client apply brake? Y N
 Tilt adjustable _____
Do you need to remove both feet seats? Y N
 Stroller _____
 Walker/Gait Trainer _____
 Bed _____ *Include photos
 Floor Stand _____ Table _____
Device / Tray [see website for Device Plate Graph](#)
 SGD or AAC make/model _____
 Does Device have QRM/UDS bracket? _____
 Phone make/model/dimensions _____
 Tablet/iPad Make: _____ Model: _____
Dimensions: _____
 Rotate portrait to landscape required? _____
 Laptop Tray _____ 12 x 16 Tray _____
Require access to more than one device? Y N
If yes: At the same time
 Change as needed one post - (adjustable deck) two posts

How does client direct Power wheelchair?
If equipped:
Hand joystick on: Left Right
One joystick Head array

Prefer to mount on: Right side Left side

Is there an existing tray on w/c? Y N

Preferred Mount(s) www.mountnmover.com

Locking
Dual Single Tilt's Turner
 Non-Locking (adjustable resistance)
Dual Single Tilt's Turner
 Simple (tray on post)
Large Small
 Not sure

1. THE MOUNT MENTOR EVAL SHEET

Mount'n Mover
Order Sheet

After you order to Mfg, specify a Mount'n Mover, also specify:
Client Name _____
Case Type _____
Device to be Mounted _____
Contact Email _____
Contact Phone _____
Dual / None _____

Step 1: Choose a Mount'n Mover

Dual Arm Mount'n Mover
P11-TQ-11 * (High Resistance) (Flag)
P2-TQ-L * (Low Resistance) (Flag)

Single Arm Mount'n Mover
P11-TQ-11 * (High Resistance) (Flag)
P11-TQ-L * (Low Resistance) (Flag)

Tilt's Turner
P10-TQ-11 * (High Resistance) (Flag)
P10-TQ-L * (Low Resistance) (Flag)

Easy Movers
Easy Mover with Quick Connect Receiver (dual and single arm)
EAK-QC-H *
EAK-QC-L *
EAK-TC-H *
EAK-TC-L *

Easy Mover with Tilt Plate (locking tilt plate)
EAK-LTP-1P *
EAK-LTP-L *

Easy Mover with Tilt's Turner
EAK-T *
EAK-L *

Quick-Release Plate
EAK-TP-1P *
EAK-TP-L *

Simple Mounts
Simple Mount Large
SM-LG-H *
SM-LG-L *

Simple Mount Small
SM-S-H *
SM-S-L *

Simple Mount with Quick Connect Receiver
SM-QC-H *
SM-QC-L *

Additional 40-Resistors
TBA-US-1/2 (107" and 174")
TBA-US-1 (174" and 274")
TBA-US-1.5 (174" and 274")

January 2019 10/1

2. MOUNT'N MOVER ORDER SHEET

Find both of these tools on our website:
www.mountnmover.com

Table of Contents

5. Wheelchair attachment overview

Wheelchair Attachment Plates and Hardware:

- 9. WC-AAP Angle Adjustment Plate
- 10. WC-LAE L-Angled Extension Plate
- 11. WC-AP4 Adapter Plate 4
- 12. WC-AP2 Adapter Plate 2
- 13. WC-AP5 Adapter Plate 5
- 14. WB2 Wheelchair Bracket
- 15. WC-R1B-Set + WC-R7/8B-Set Round Bridge Clamp 1" and 7/8"
- 16. WC-TN T-Nut
- 17. WC-COVED-1" SET 1" Coved Spacers with hardware
- 18. WC-COLLAR-1" SET 1" Collar Clamps with hardware

Device Plates:

- 21. Device Plate Graph Not all Device Plates are included in this Eval Kit. Call us!
- 23. DP-PRC1 Attaches to Accent 1400 with Look Eyegaze Bar
- 24. Accent 1400 Attachment instructions for 1400 with LOOK Eyegaze bar. (Otherwise use the DP-QCR)
- 25. DP-Multi1 VESA, Smartbox, Skyle, Lightbox, Control Bionics
- 26. DP-QCR Attaches to most PRC and Tobii Devices
- 27,28,29. DP-T5 Attaches to Tobii I-13 and I-16
- 30. DP-EXT To offset for IR on Tobii I-13 and I-16. Also for use on larger devices to clear the hoop
- 31,32. DP-UR Universal Rotator (switch from portrait to landscape) or (correct tilt for eyegaze)
- 33. DP-QCP Connects to DP-QCR and to Rehadapt UDS

Mounts and Accessories:

- 37. EM1-QC-H Easy Mover Single Arm with high torque hinge
- 38,39. M2-TQ-H Dual Arm Mount'n Mover
- 40. P18, P12 Posts (other sizes/custom are available)
- 41. TC Table Clamp
- 42. SM-S-H-P18 Simple Mount Small with 18 inch post and a high torque hinge
- 43. TRA-LS-1/2" and 1" Lip Supports (Set of six 1/2" and 1")
- 44. TR-iTab or TR-LG Trays (Eval Kit includes a Laptop Tray and your choice of a Large Tablet Tray or an iTab Tray)
- 45,46,47,48,49. Link Cube Configurations, Multi Mount Systems, Eval Sheet, Etc

[Download another Instruction booklet:](http://www.mountnmover.com/products/eval-kits)
www.mountnmover.com/products/eval-kits

 **Please take pictures of your final set up for ease of ordering!**

Wheelchair Attachment Overview

* All plates are considered 'multi-use plates' and can be configured, combined, and used in a variety of ways.

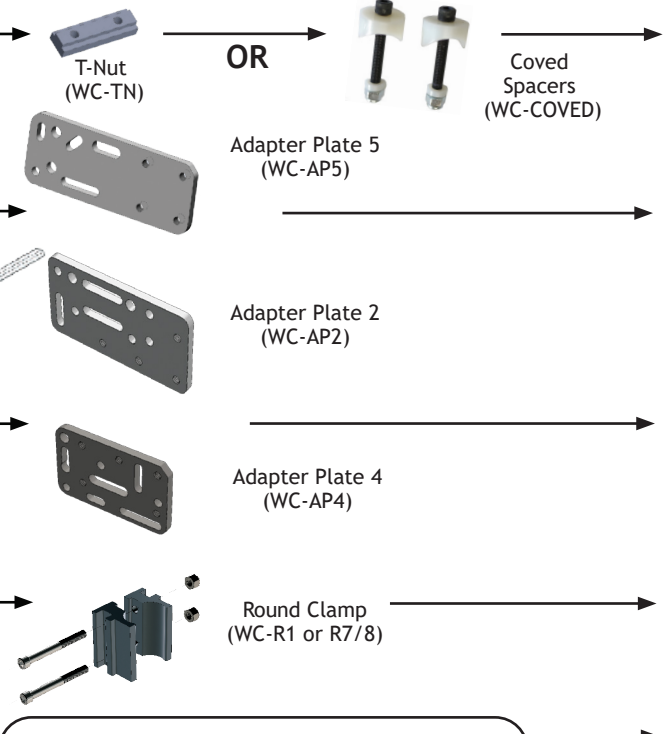


Anchor to Chair

* What you use will depend on what kind of chair frame you have.

- Round tubing
- Slide track
- Hole-spacing
- Tie-Down

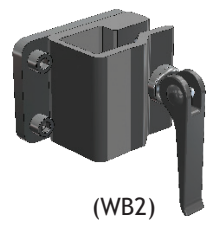
Start with a power or manual wheelchair



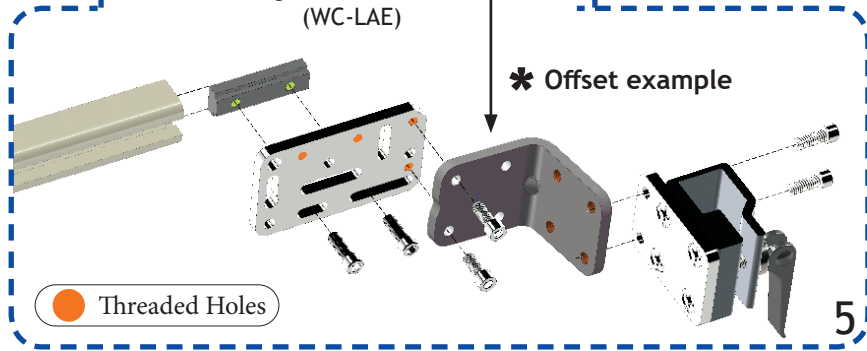
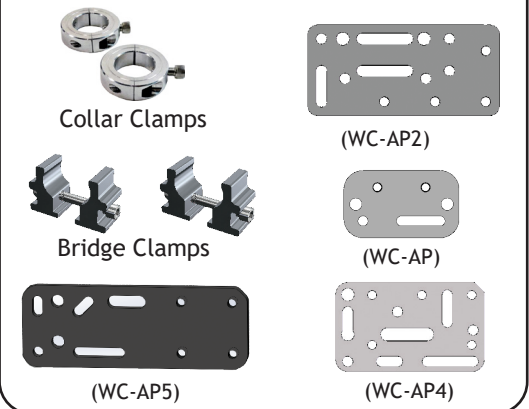
OPTIONAL OFFSET

- Adapter Plate 5 (WC-AP5)
- Adapter Plate 2 (WC-AP2)
- Adapter Plate 4 (WC-AP4)
- Angle Adjust Plate (WC-APAP)
- L-Angle Extension Plate (WC-LAE)

Wheelchair Bracket



Span the bridge or collar clamps with a plate



Wheelchair Attachment Plates and Hardware



WARNING!

Never attach two plates via
threaded hole to threaded hole!
This damages the threads and
the connection can loosen!

Plate to Plate Attachment Options

- Non-threaded hole to threaded hole = Good
- Non-threaded hole to non-threaded hole with nut = Good
- **Threaded hole to threaded hole = Not good**
(will damage threads!)

Hole Pairing Options

- Attaching with two holes = **BEST**
- Hole and slot (horizontal or vertical) = Good
- Slot and slot (both horizontal) = Ok
- Two vertical slots = **NOT GOOD!** (could slip or wobble!)

Angle Adjustment Plate (WC-AAP)

Scale 1 : 1

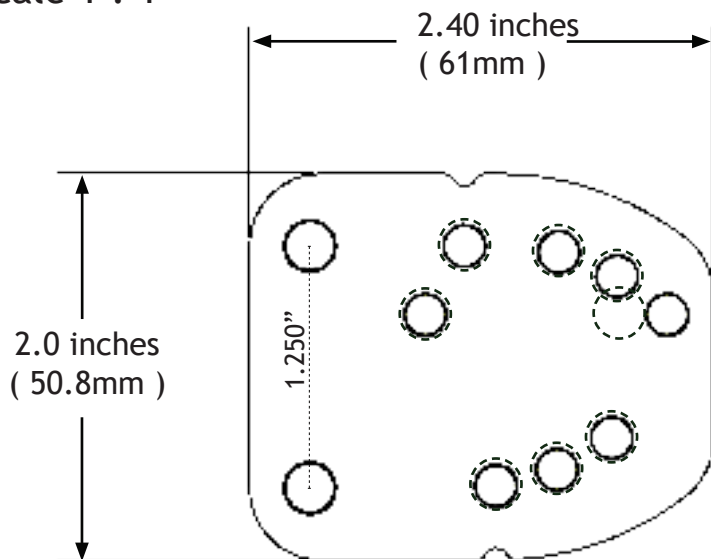


Plate to Plate Attachment Options

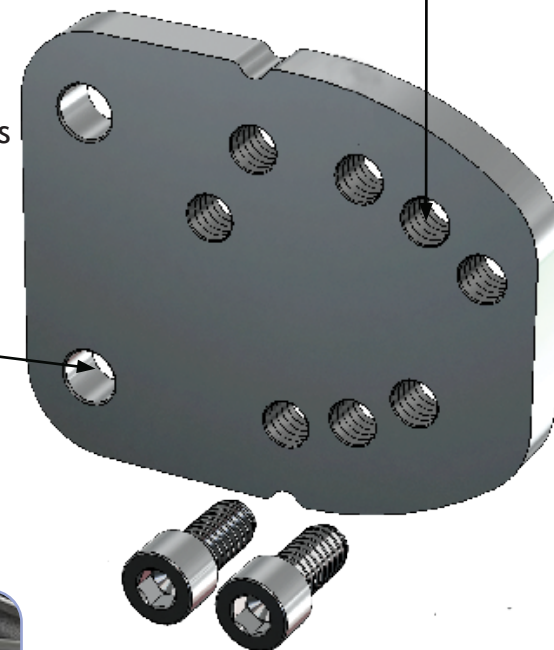
- Non-threaded hole to threaded hole = Good
- Non-threaded hole to non-threaded hole with nut = Good
- Threaded hole to threaded hole = Not good
(will damage threads!)

Set Includes:

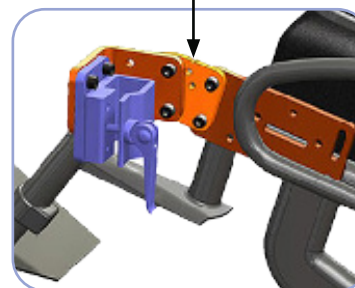
- (1) Angle Adjustment Plate
- (2) 1/4-28 x 1/2" Socket head cap screws

1/4-28 Threaded Holes (Qty = 8)

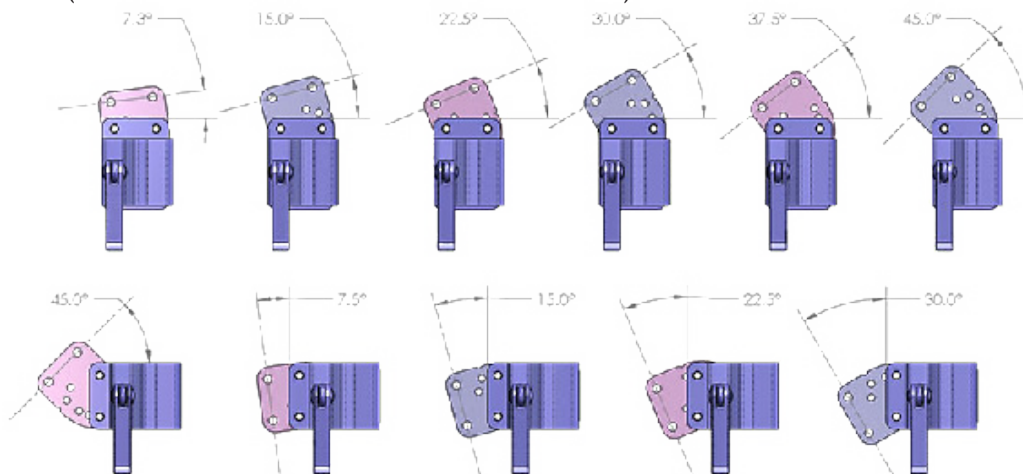
Non-threaded holes (Qty = 2)



WC-AAP

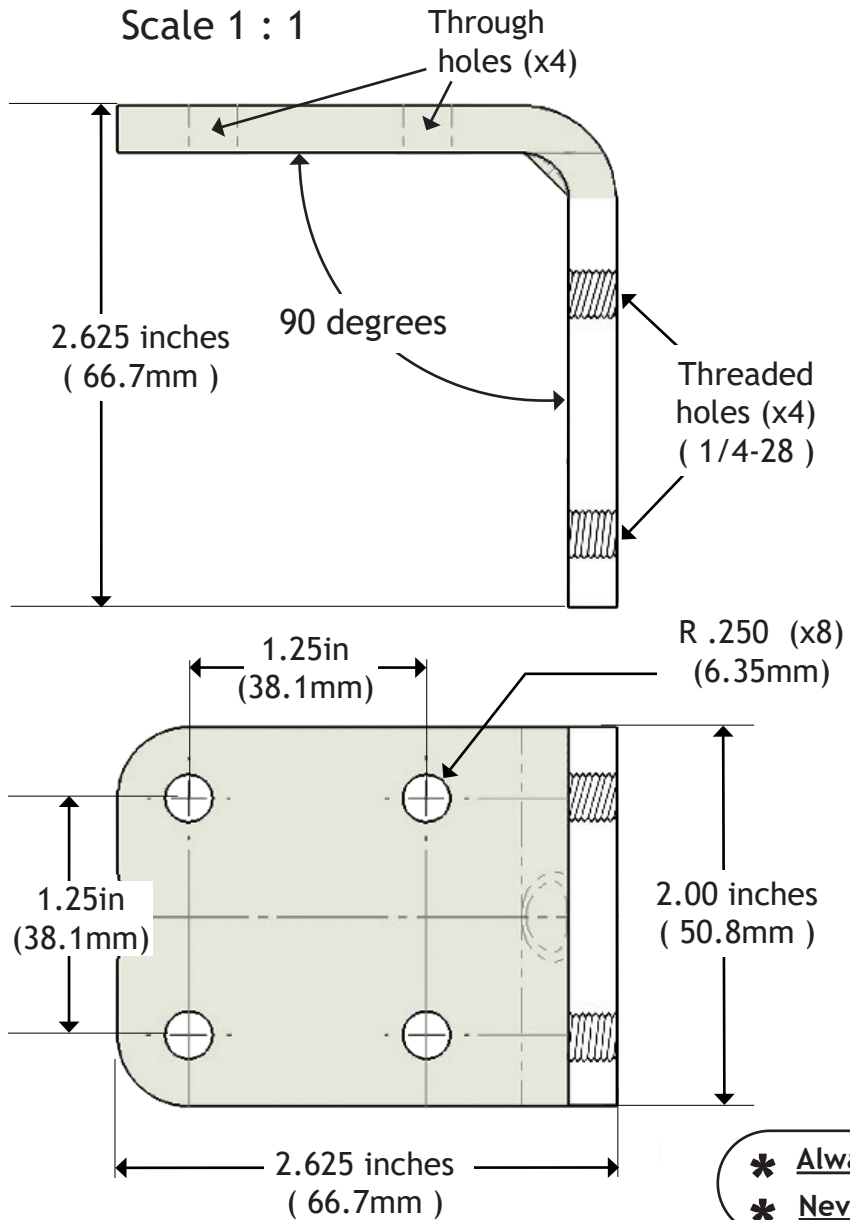


Angles available with the Angle Adjust Plate (AAP)
(Tilts to accommodate WB2 at horizontal level)

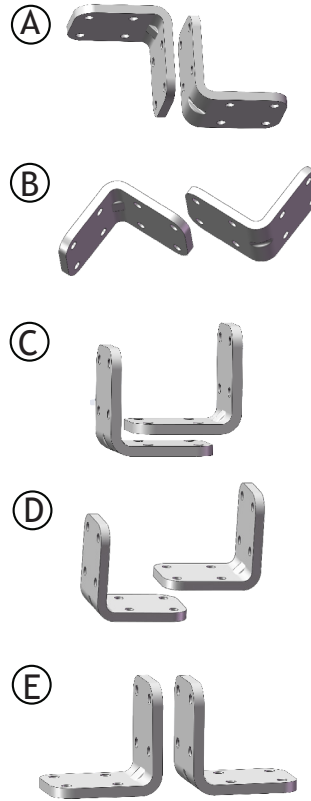


WARNING!
Never attach two plates via threaded hole to threaded hole!
This damages the threads and the connection can loosen!

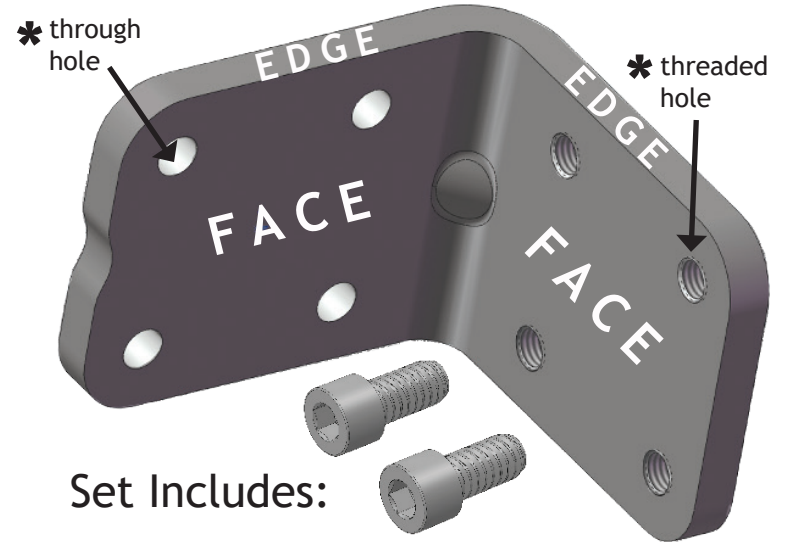
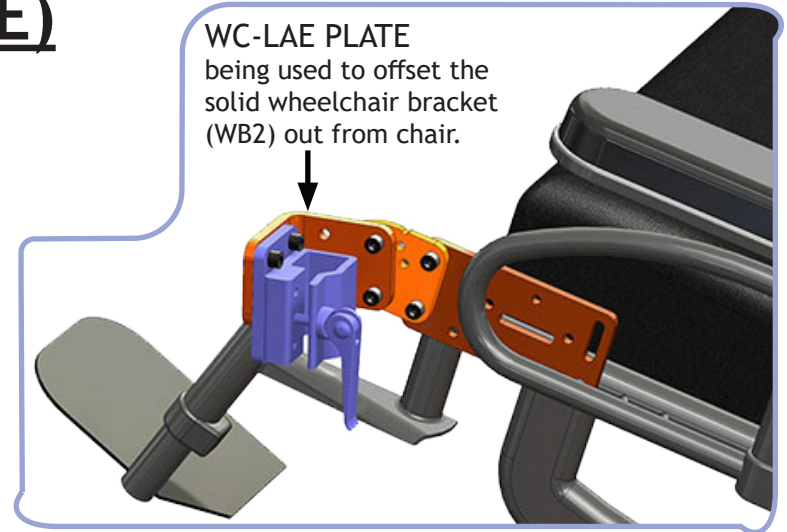
L-Angled Extension Plate (WC-LAE)



Possible configurations:



WARNING!
Never attach two plates via threaded hole to threaded hole!
This damages the threads and the connection can loosen!



Set Includes:

- One L-Angled Extension Plate
- Two 1/4-28 x 1/2" Socket head cap screws

- * **Always** attach [through hole] to [threaded hole]. Minimum of two bolts to attach plate
- * **Never** attach [threaded hole] to [threaded hole]. Can damage threads!

Adapter Plate 4 (WC-AP4)

Scale 1 : 1

1/4-28 threaded Hole (Qty = 5)

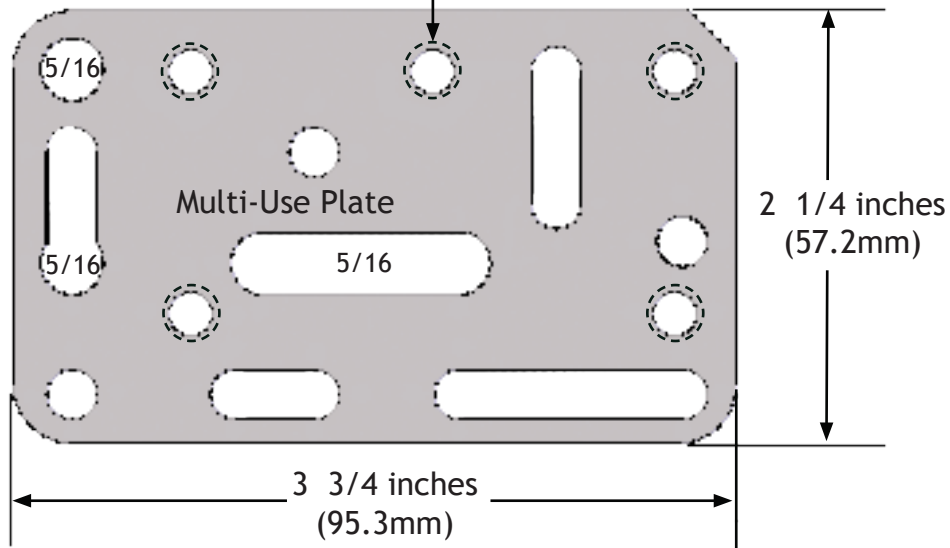


Plate to Plate Attachment Options

- Non-threaded hole to threaded hole = Good
- Non-threaded hole to non-threaded hole with nut = Good
- Threaded hole to threaded hole = Not good (will damage threads!)

Hole Pairing Options

- Two holes = BEST
- Hole and slot (horizontal or vertical) = Good
- Slot and slot (both horizontal) = Good
- Two vertical slots = NOT GOOD! (could slip!)

Set Includes:

(1) Adapter Plate 4 (WC-AP4)

Hardware - Plate to Plate Attachment

(2) 1/4-28 x 1/2" Socket head cap screws

Hardware - Unitrack:

(4) M6-1 x 14 Socket head cap screws

(4) M6-1 x 10 Square nut

Hardware - Through Holes in Frame:

(2) 1/4-28 x 1 5/8" Socket head cap screws

(2) 1/4-28 Lock nut

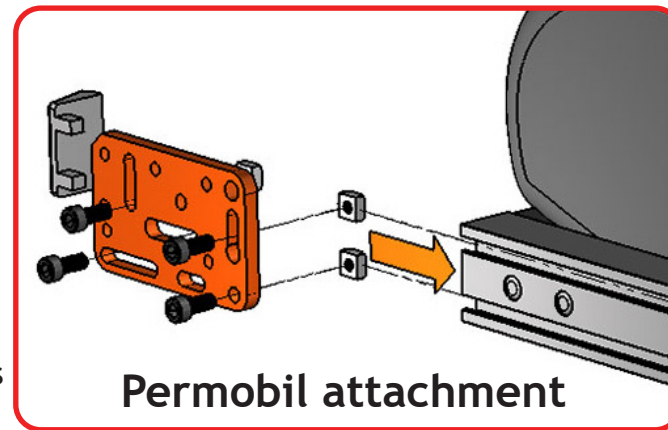
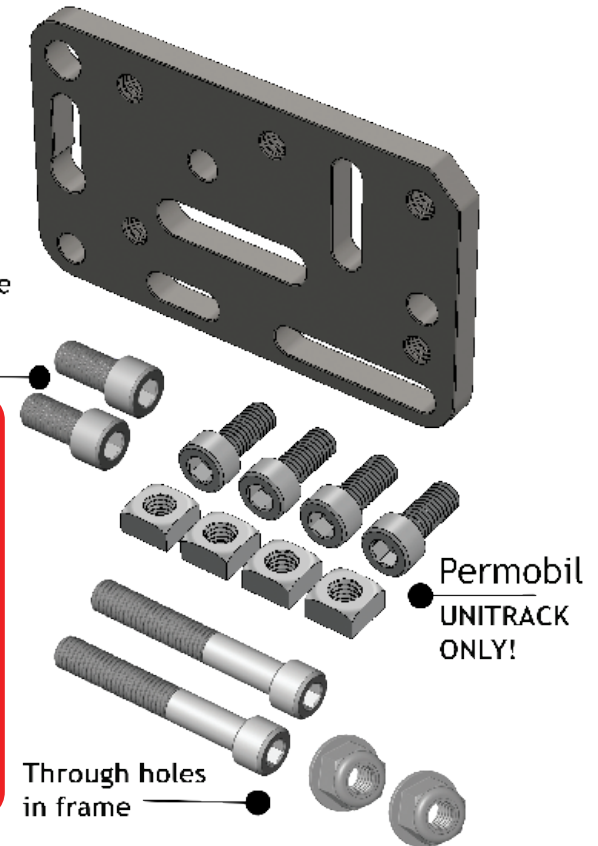


Plate to Plate Attachment

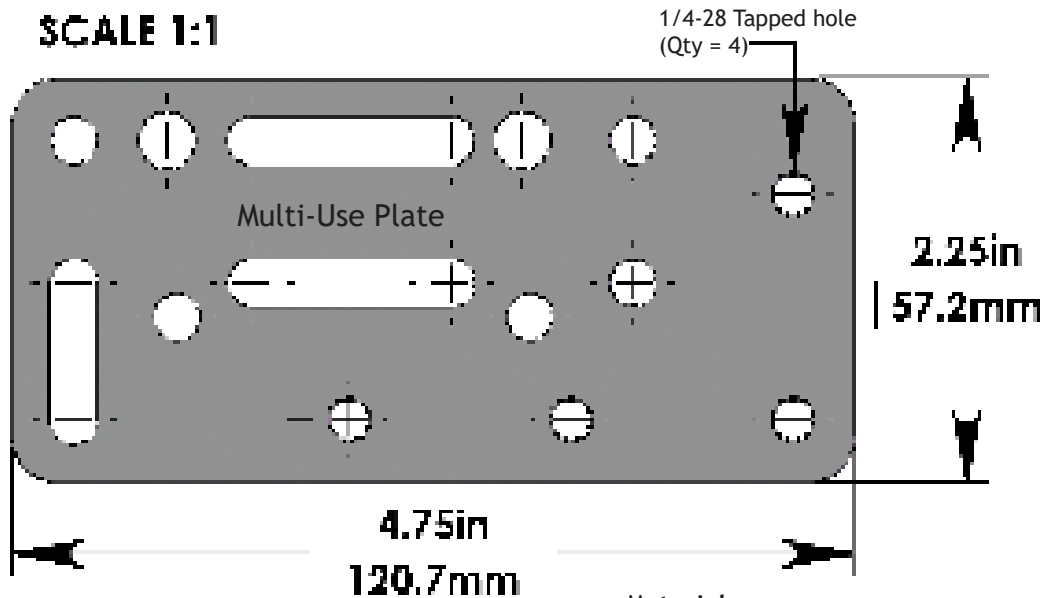


Mount'n MoverTM
by BlueSky Designs

Product: WC-AP4, Adapter Plate 4
Weight: 7.3 oz. (0.21 kg)

Adapter Plate 2 (WC-AP2)

SCALE 1:1



Material:
0.250" (6.35 mm) laser cut steel
Coating:
Electroless nickel

Set Includes:

(1) Adapter Plate 2 (WC-AP2)

Hardware - Plate to Plate Attachment

(2) 1/4-28 x 1/2" Socket head cap screws

Hardware - Through Holes in Frame:

(2) 1/4-28 x 1 5/8" Socket head cap screws

(2) 1/4-28 lock nut

Hardware - Unitrack:

(4) M6-1 x 14 Socket head cap screws

(4) M6-1 x 10 Square nut

Plate to Plate Attachment Options

- Non-threaded hole to threaded hole = Good
- Non-threaded hole to non-threaded hole with nut = Good
- Threaded hole to threaded hole = Not good
(will damage threads!)

Hole Pairing Options

- Two holes = BEST
- Hole and slot (horizontal or vertical) = Good
- Slot and slot (both horizontal) = Good
- Two vertical slots = NOT GOOD! (could slip!)

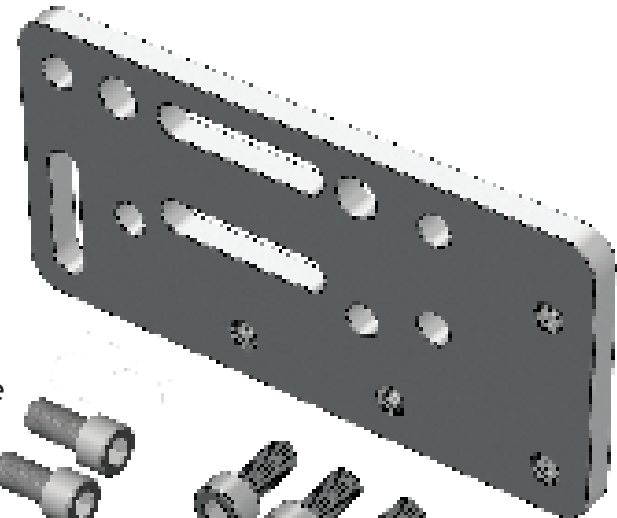


Plate to plate attachment

Through holes in frame

Permobil Unitrack ONLY!

WARNING!

Never attach two plates via threaded hole to threaded hole! This damages the threads and the connection can loosen!

Mount n MoverTM
by BlueSky Designs

Product: WC-AP2, Adapter Plate 2
Weight: 10.0 oz. (0.28 kg)

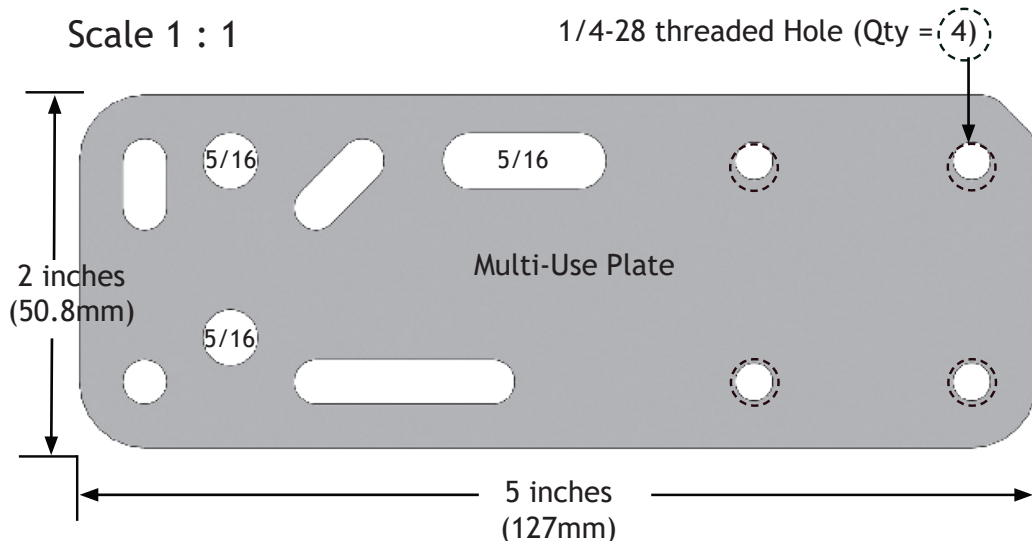
Adapter Plate 5 (WC-AP5)

Plate to Plate Attachment Options

- Non-threaded hole to threaded hole = Good
- Non-threaded hole to non-threaded hole with nut = Good
- Threaded hole to threaded hole = **Not good**
(will damage threads!)

Hole Pairing Options

- Attaching with two holes = **BEST**
- Hole and slot (horizontal or vertical) = Good
- Slot and slot (both horizontal) = Good
- Two vertical slots = **NOT GOOD!** (could slip!)



Set Includes:

(1) Adapter Plate 5 (WC-AP5)

Hardware - Plate to Plate Attachment

(2) 1/4-28 x 1/2" Socket head cap screws

Hardware - Through Holes in Frame:

(2) 1/4-28 x 1 5/8" Socket head cap screws

(2) 1/4-28 lock nut

Hardware - Unitrack:

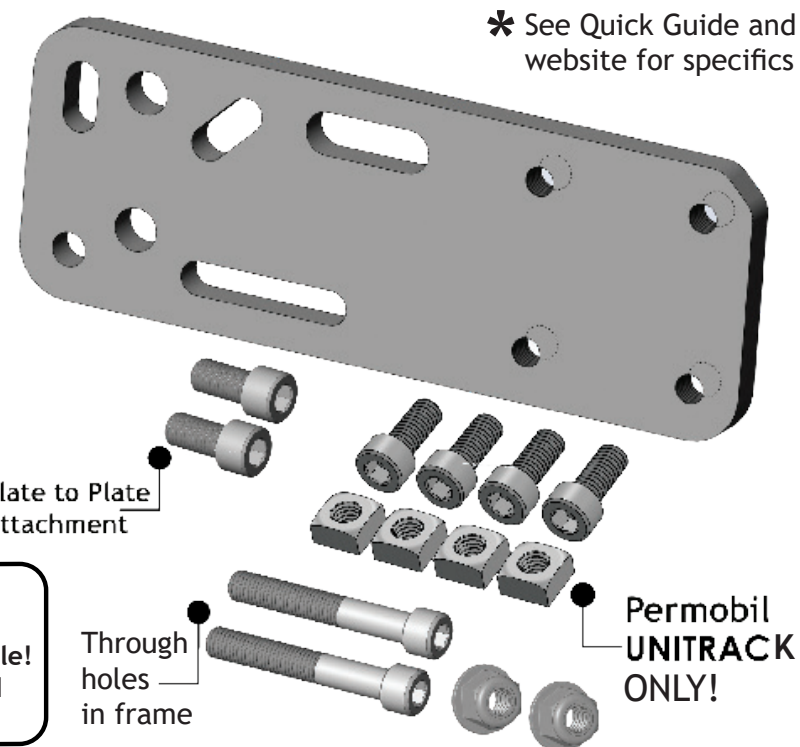
(4) M6-1 x 14 Socket head cap screws

(4) M6-1 x 10 Square nut



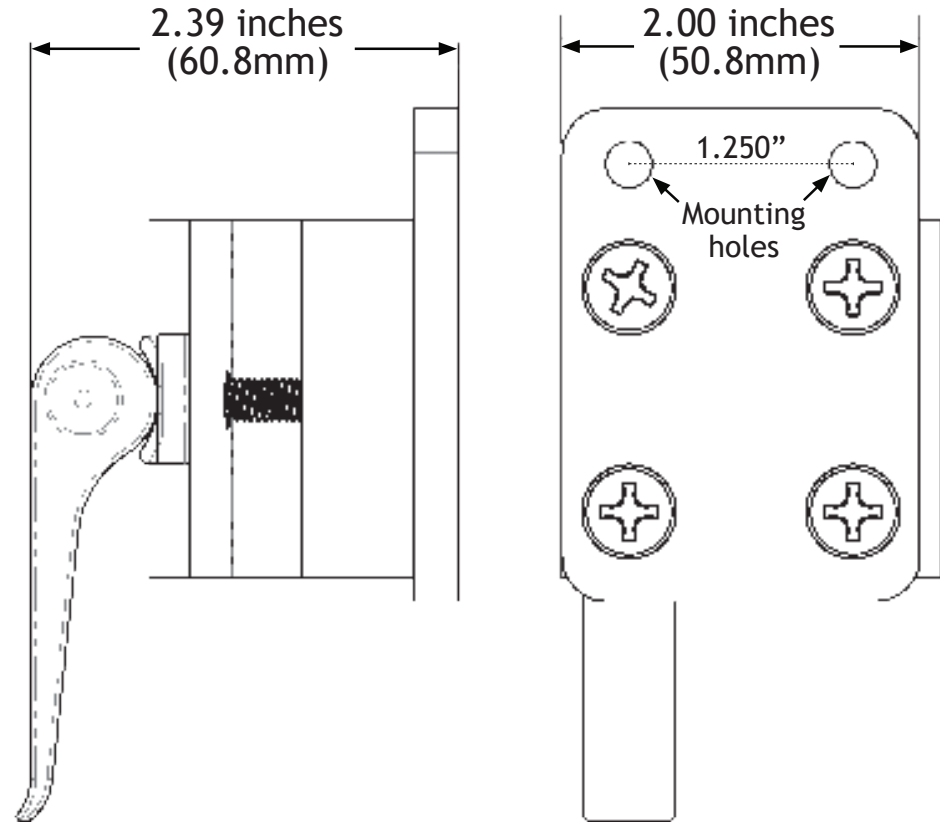
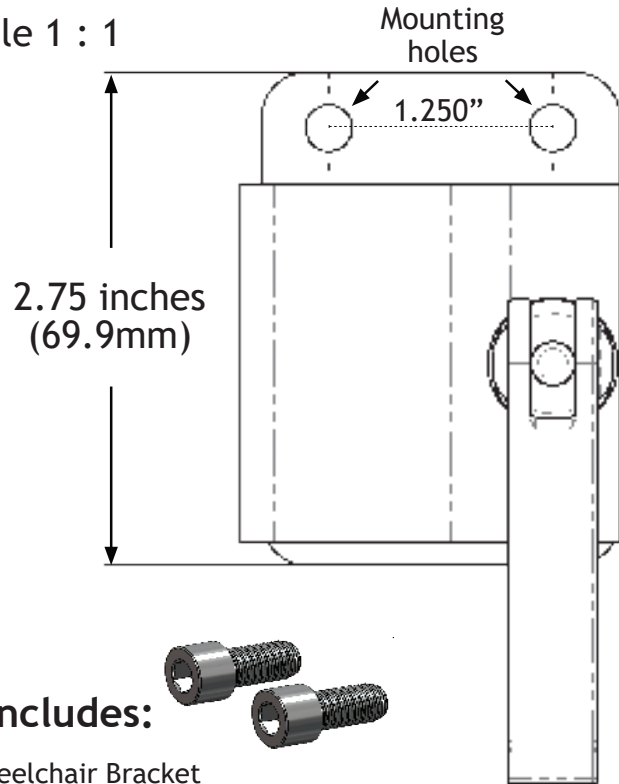
WARNING!

Never attach two plates via threaded hole to threaded hole! This damages the threads and the connection can loosen!

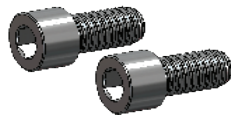


Wheelchair Bracket (WB2)

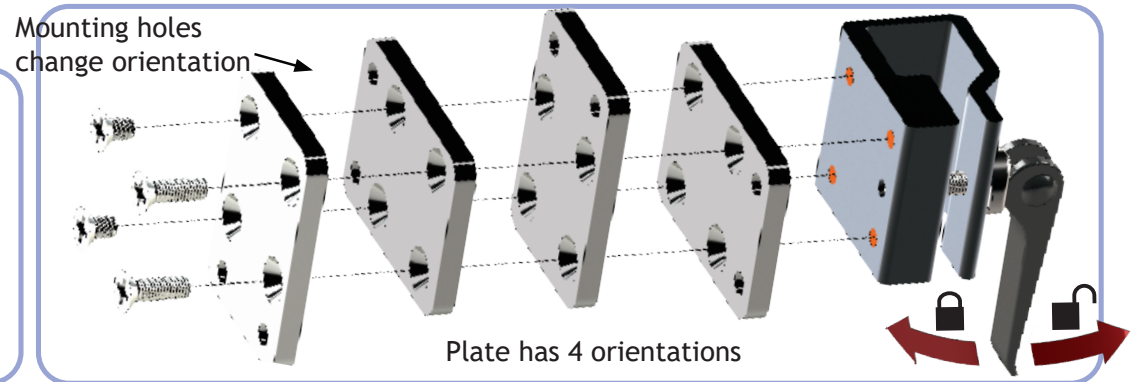
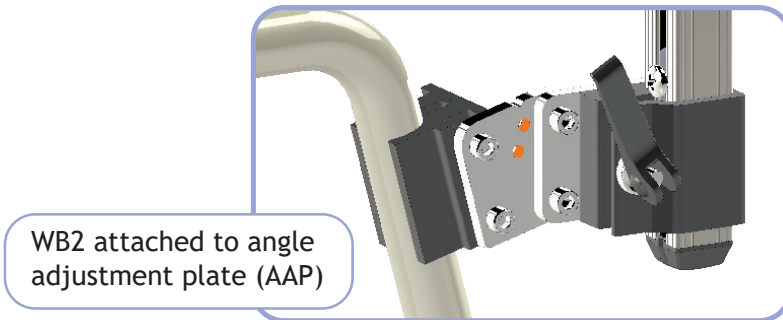
Scale 1 : 1



Set Includes:

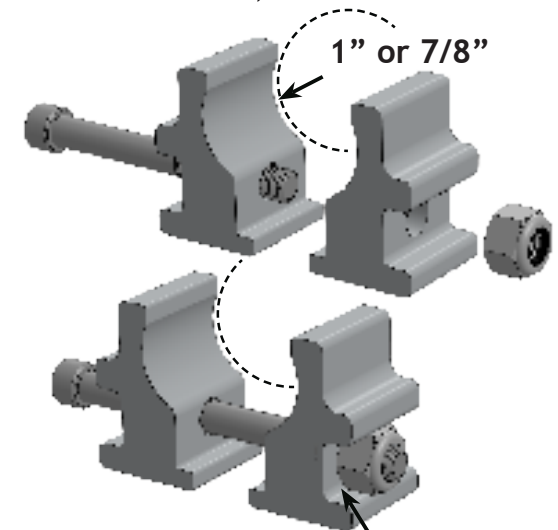
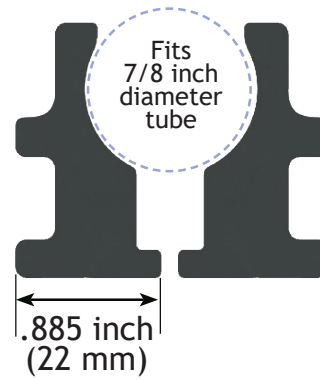
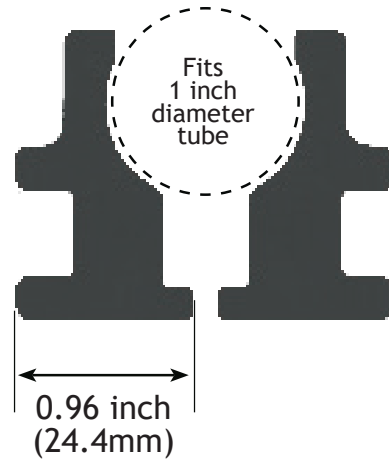
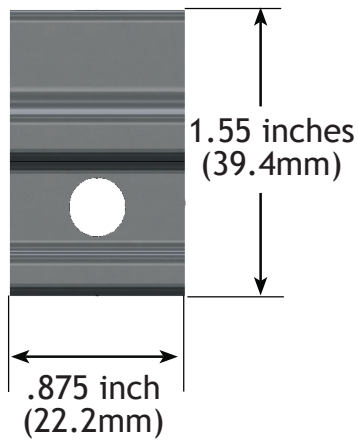


- (1) Wheelchair Bracket
- (2) 1/4-28 X 0.5" Socket Head Screws



Round Bridge Clamp (WC-R1B-set) or (WC-R7/8B-set)

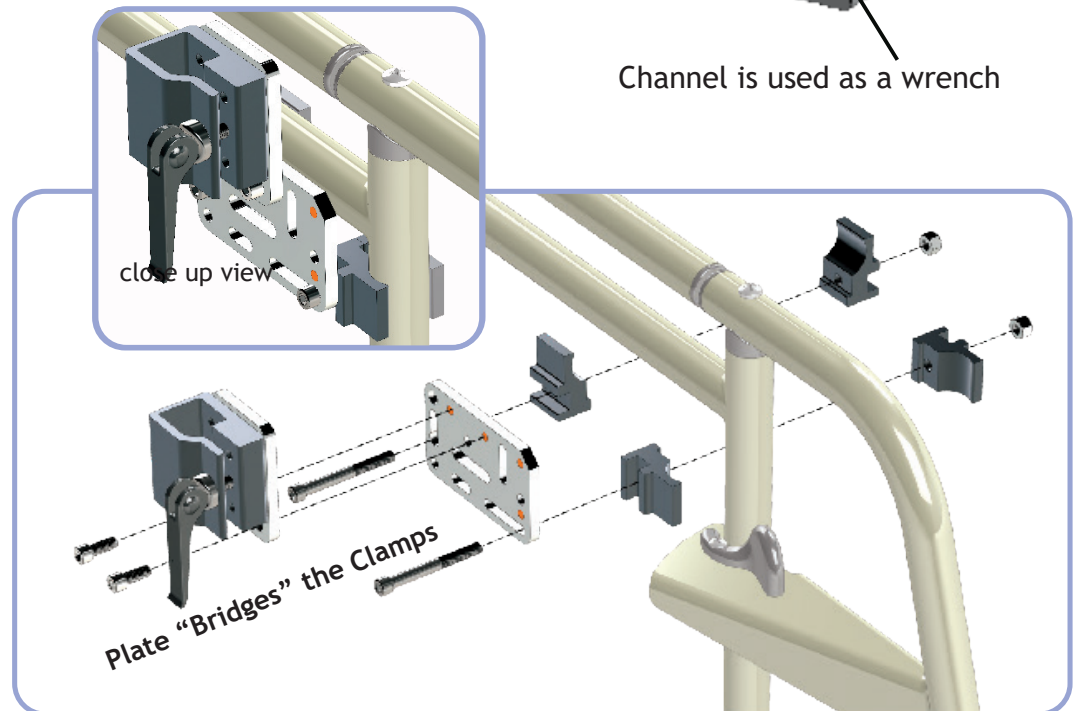
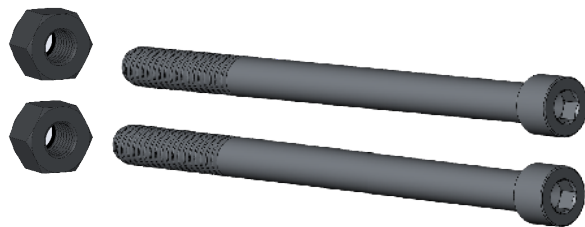
Scale 1 : 1



Channel is used as a wrench

Set Includes:

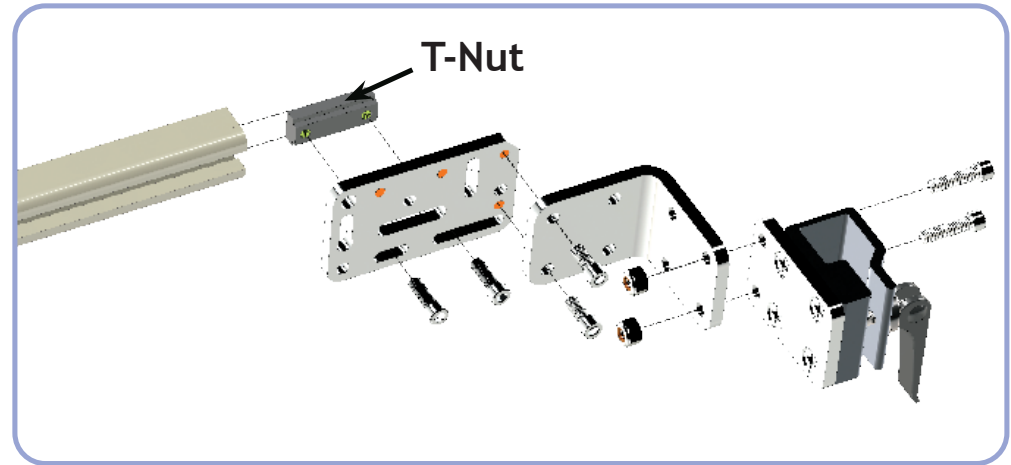
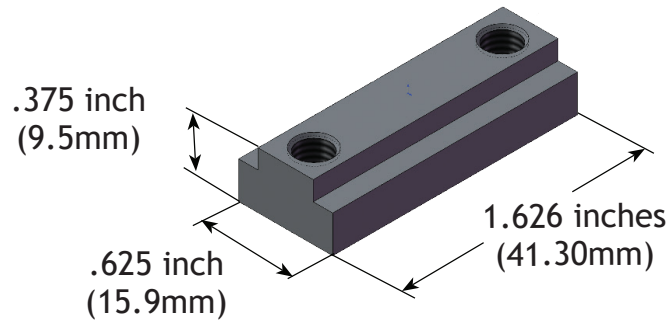
- (4) Clamps [1 set -1"] or [1 set-7/8"]
- (2) 1/4-28 x 2 1/4" Socket Head Cap Screw
- (2) 1/4-28 Lock-nut



Mount'n Mover[™]
by BlueSky Designs

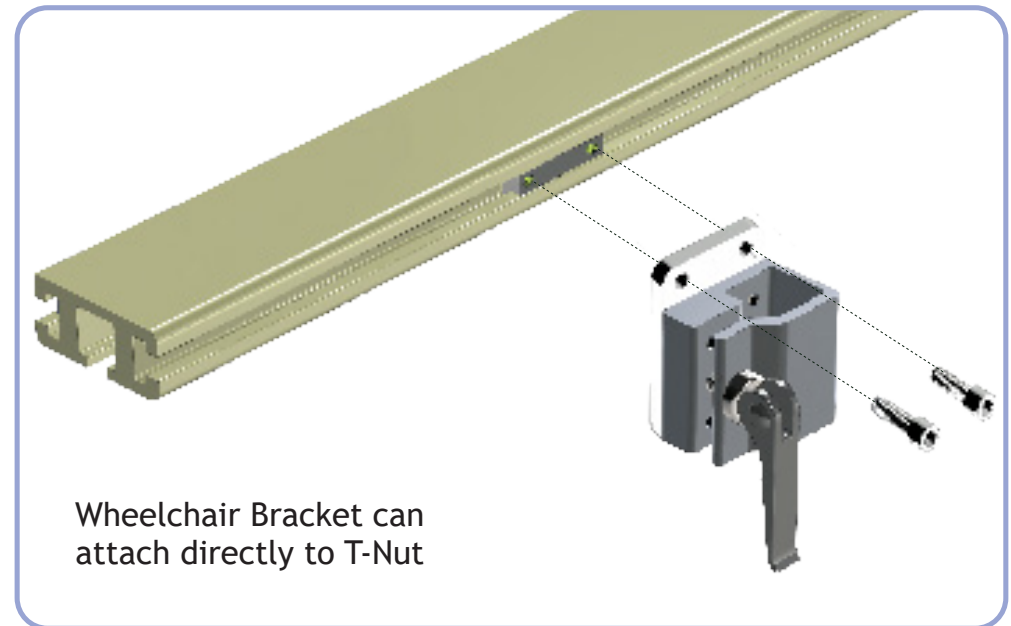
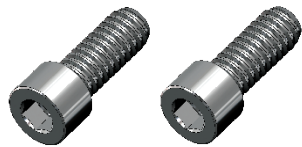
Product: WC-R1"B or WC-R7/8"B, Round Bridge Clamp
Weight: 2.5 oz. (0.07 kg)

T-Nut (WC-TN) (for use with slide track)



Set Includes:

- (1) T-nut
- (2) 1/4-28 x 5/8" Socket Head Cap Screw



* T-Nut prior to May of 2015 used 1/4-20 screws

COVERED SPACERS 1" (7/8" covered spacers available)

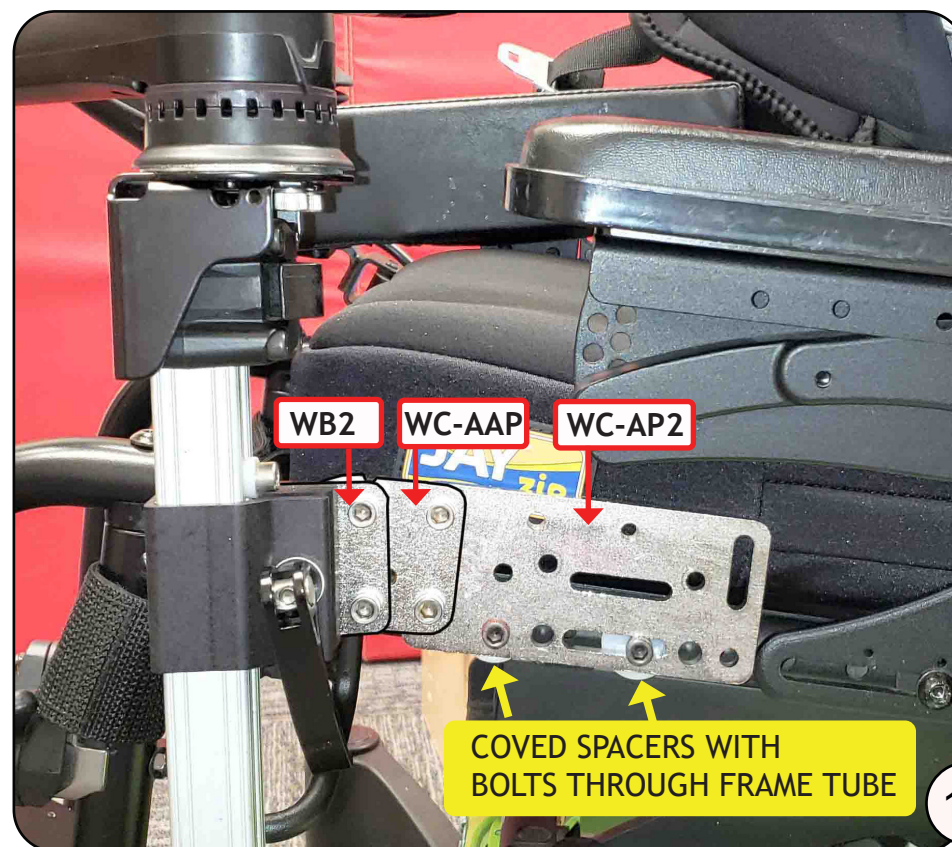
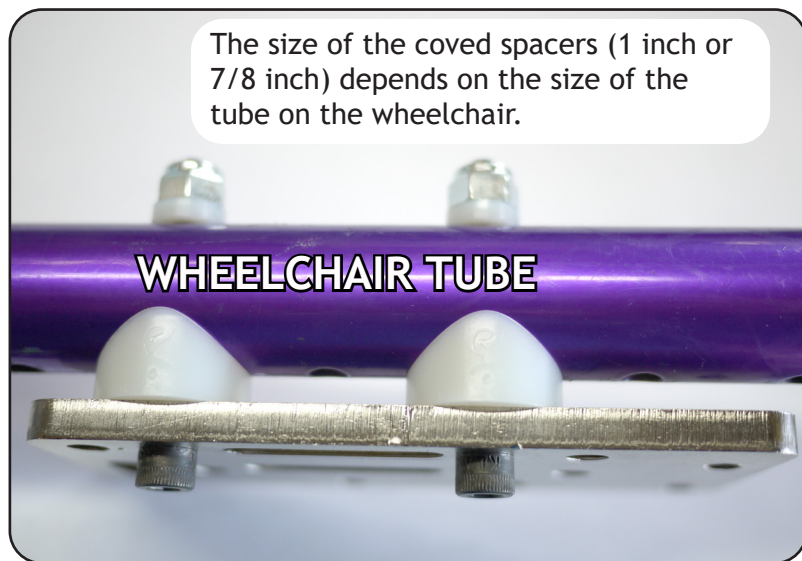


Included:

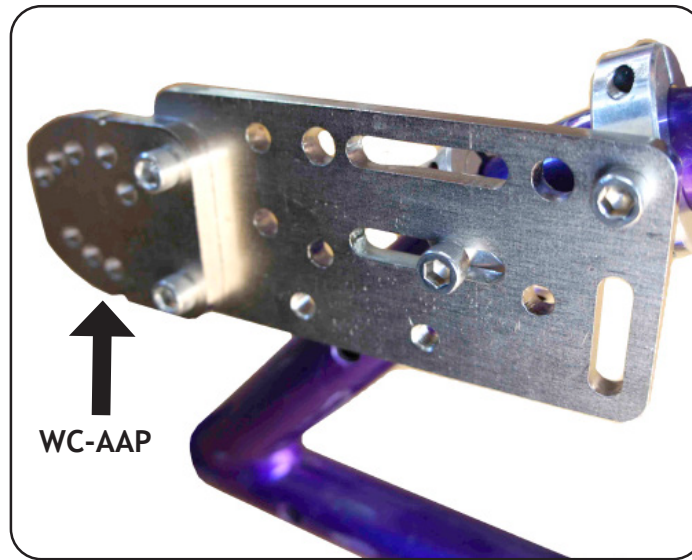
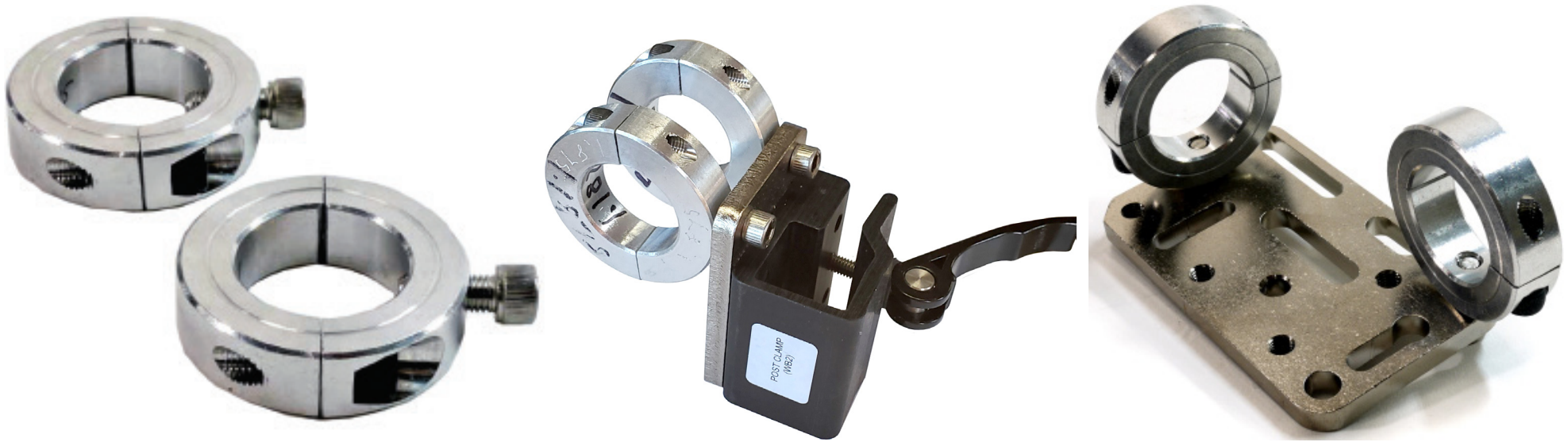
- Covered Spacers (1 inch) (x2)
- Nylon Washers (x2)
- Bolts 1/4-28 x 2" (x2)
- Lock Nuts 1/4-28 threads (x2)

USING THE COVERED SPACERS TO ATTACH THE WC ADAPTER PLATE

The size of the covered spacers (1 inch or 7/8 inch) depends on the size of the tube on the wheelchair.



Collar Clamps (Set of two 1" clamps and a set of two 1.125 inch clamps)



Mounting on a curve will usually require an WC-AAP (angle adjust) plate to correct the angle to vertical for the WB2 (wheelchair bracket). This will allow the post to be vertical.

Collar clamps come in many sizes. If you need a different size we will need to know the circumference of the tube you will be attaching to.

Device Plates

NOTE: Not all device plates are included in this Eval Kit.
See next page for “Device Plate Graph” and a list of devices

Device Plate Graph

Find the attachment plate for your device

MAKE	MODEL	PLATE
For devices not shown - contact us		
Tobii Dynavox	TD Pilot	DP-QCR** QCR COMPATIBLE
	SC Tablet Pro (12.9 iPad)	DP-QCP plus DP-QCR DP-QCP
	SC Tablet (iPad)	DP-QCP plus DP-QCR DP-QCP
	EyeMobile Plus (EM12 with EyeMobile Plus)	DP-QCR** QCR COMPATIBLE
	EyeMobile Mini	DP-QCR** QRAP**
	I-110	DP-T4 DP-T4 and DP-QCP
	Indi	DP-QCR** QCR COMPATIBLE
	I-12, I-15	DP-T2 DP-T2 plus DP-QCP
	I-13, I-16	DP-T5 QCR COMPATIBLE
	Accent 800, 1000	DP-QCR* QRM*
Prentke Romich Co. and	Accent 1400	DP-QCR* QRM*
	Accent 1200	DP-QCR* QRM*
	NOVA chat 8, 10, 12, PRIO-mini, Chat Fusion 8,10, Via Pro, TouchChat Express Offset the mounting bracket with (x3) 6-32 x 1/2" screws and (x3) 3/16" nylon spacers (DAH-Salttillo)	DP-QCR* QRM*
Lincare	Expression	DP-QCR QCR COMPATIBLE
	Skyle	DP-MULTI1 DP-MULTI1 plus DP-QCP
Inclusive TLC	2x2 spacer, (x4) 8-32x1-3/4" flat head screws, (x4) m4x8mm flat head screws (DAH-Skyle)	DP-MULTI1
	GridPad Trilogy	DP-QCR-E QCR COMPATIBLE
Forbes	Winslate 12, 11, ProSlate 8, 10, 13	DP-QCR QCR COMPATIBLE
	Eyespeak 12, Zuvo 10, 12, Wego 10+13	DP-QCR QCR COMPATIBLE
Talk to Me Technologies	Eyespeak 18, Zuvo 18	DP-QCR-E
EYEGAZE Inc	Eyegaze Edge	DP-EE DP-EE plus DP-QCP
Eyetech	EyeOn Elite, EyeOn Go	DP-QCR QCR COMPATIBLE
	Grid Pad 12, 15,	DP-QCR-E QCR COMPATIBLE
Smartbox	Grid Pad 10S, Talk Pad 8, 10, 13, Touch Pad,	DP-QCR QCR COMPATIBLE
	Lightbox	DP-MULTI1 DP-MULTI1 plus DP-QCP
APH for Blind	Include hardware (x4) 8-32 x 5/8" screws	DP-QCR QCR COMPATIBLE
Jabbla	Vibe 12, Tellus 6, Tellus(i)6,	DP-QCR QCR COMPATIBLE
RM Speech	NUVO, INSPIRE, INSPIRE XL VESA 75 and 100 hole spacing x4(1/4-20 x 1/2" screws)	DP-MULTI1 DP-MULTI1 plus DP-QCP
Others	VESA (50,75,100mm)	DP-MULTI1 DP-MULTI1 plus DP-QCP
iPad/Tablets	Fits standard iPads / Tablets (11 x 8 inch maximum)	TR-iTAB TR-iTAB plus DP-QCP
Large Tablets	iPad Pro 12.9, Surface, Surface Pro (13.5 x 9.5 maximum)	TR-LG Tablet Tray TR-LG Tablet Tray plus DP-QCP
Small Laptops	Lingraphica All Talk, Small Laptops (13 x 9 inch maximum)	TR-Small Laptop Tray TR-Small Tablet Tray plus DP-QCP
Rehadapt	DP-QCR and DP-QCP are Rehadapt compatible **Requires Tobii Quick Release Adapter Plate	**Requires PRC's QRM plate

DP-PRC1

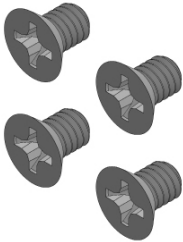
Attaches to: PRC ACCENT 1400 with Look Eye Gaze Bar

Device plate
to device



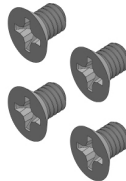
6/32 x 1/2" Flat Head (x4)
Screw A

Quick release
plate (QRP) to
device plate



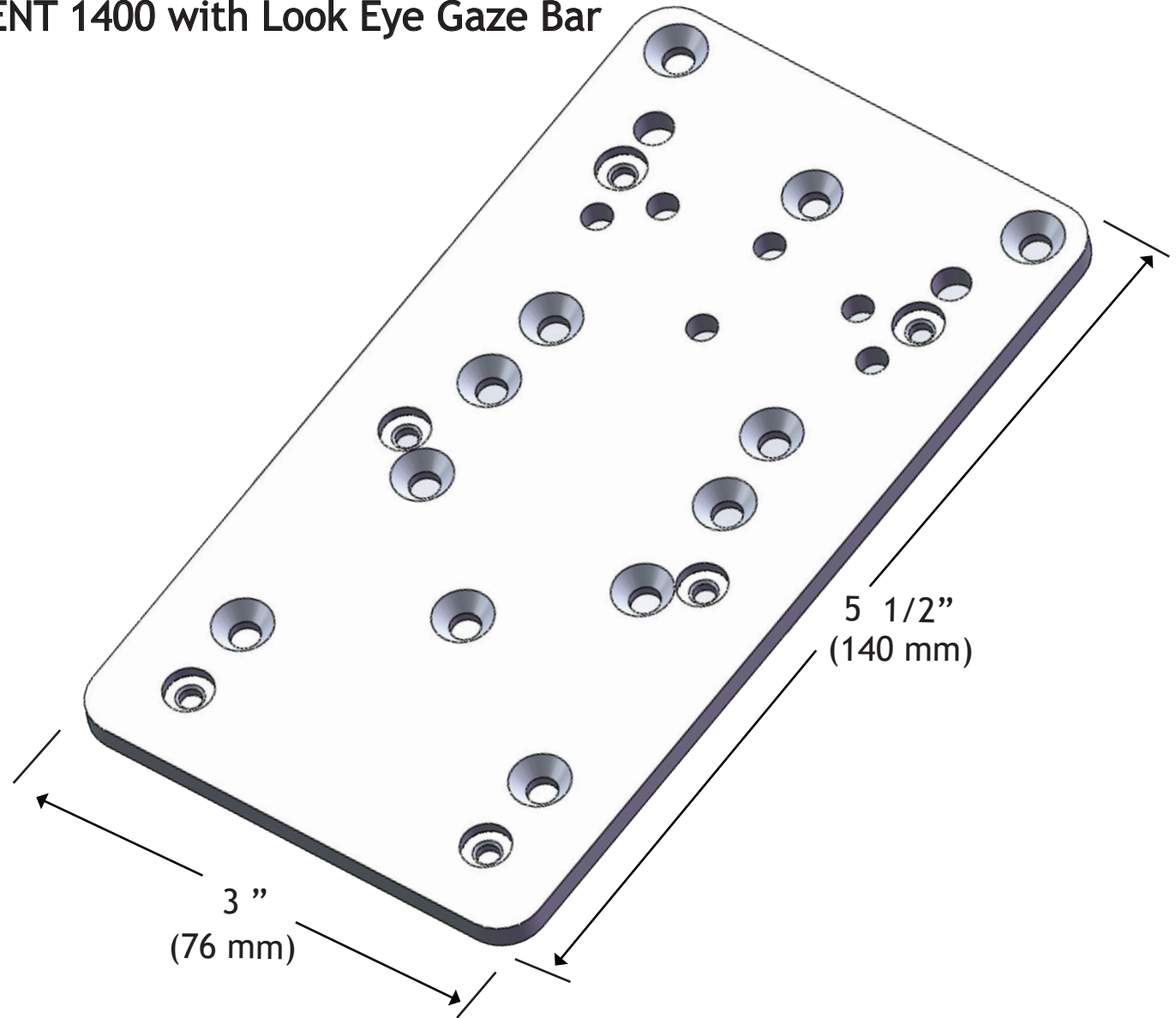
8-32 x 1/4" (x4)
Screw T

Quick release
plate (QRP) to
Rotator



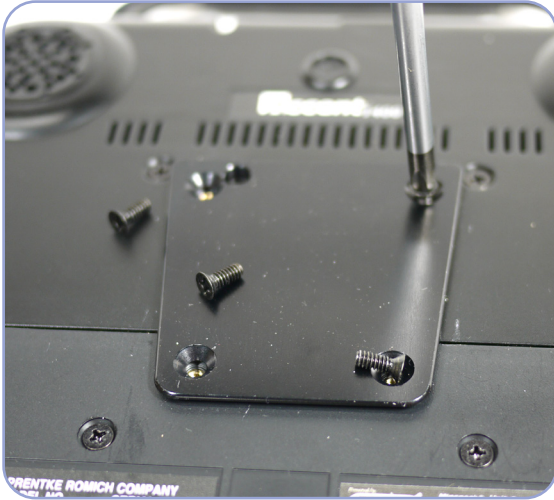
8-32 x 3/16" (x4)
Screw CC

* *These Screws are ONLY
used for attaching the
Quick Release Plate to the
Universal Rotator*



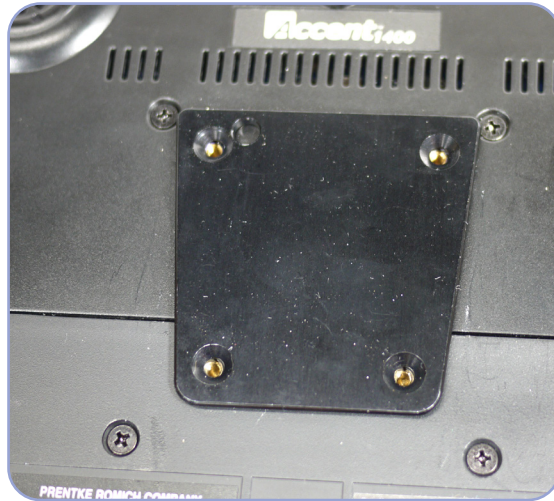
PRC Accent 1400 with LOOK Eyegaze Bar

1



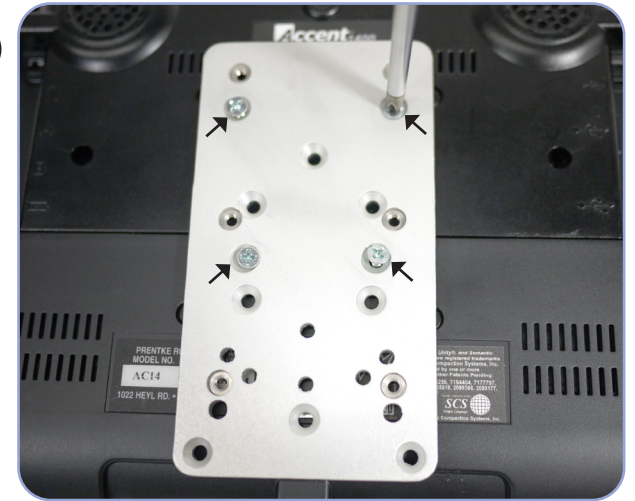
Remove screws from mounting bracket.

2



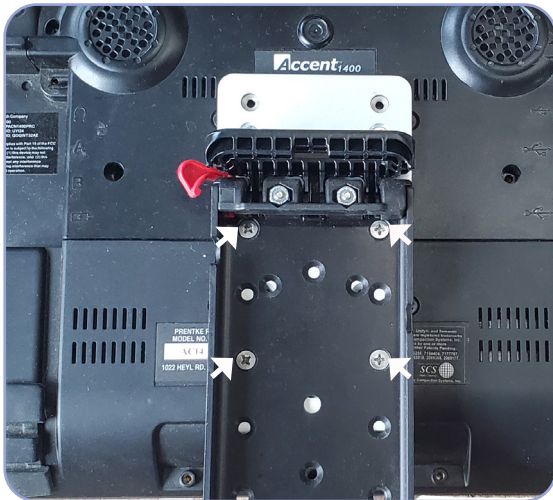
Leave mounting bracket in place.

3



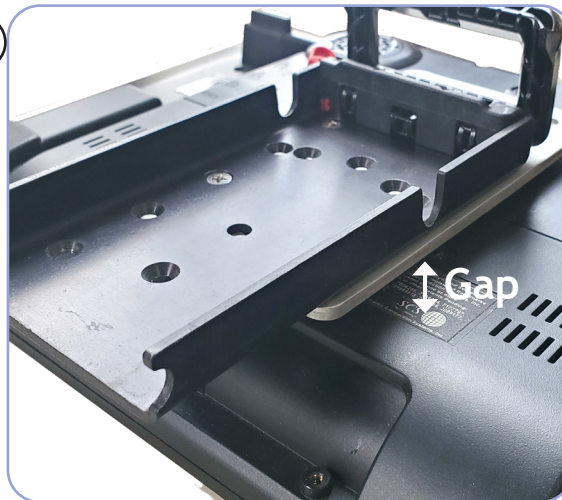
Place DP-PRC1 over the Accent 1400 mounting bracket. Line up the four holes between the two plates and the Accent 1400. Attach using the four screws provided (6/32 x 1/2").

4



Attach the Quick Release Plate to the DP-PRC1 using the four screws provided (8/32 x 1/4")

5



There should be a gap between the DP-PRC1 plate and the Accent 1400 to allow for ventilation.


6





Attach the Quick Release Plate (QRP) to the Mount'n Mover!

DP-Multi1

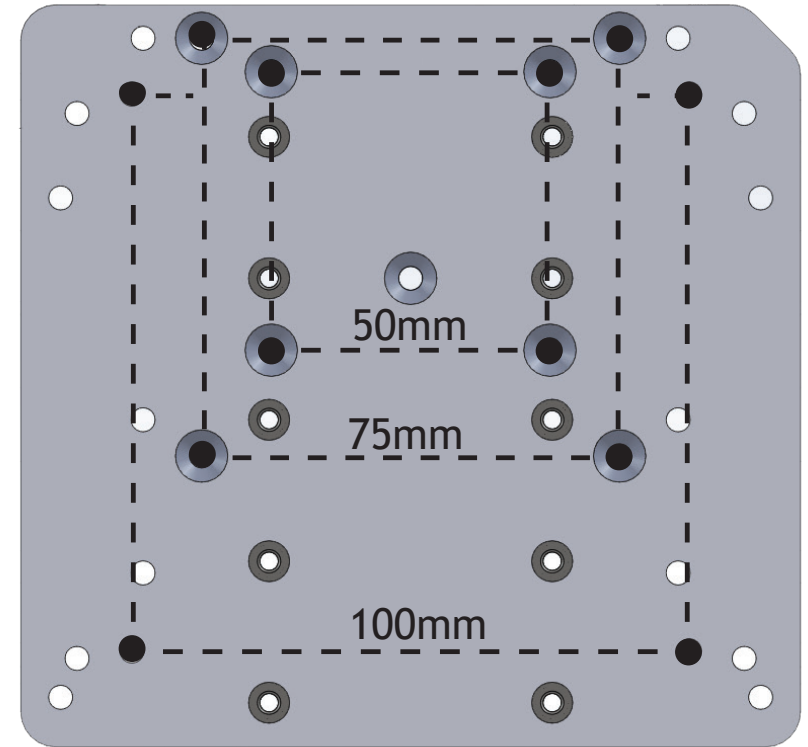
Attaches to: VESA (50,75,100mm) Control Bionics, Skyle, Lightbox

• 100 VESA use screw **MMM**
 (Screw **MMM** x4)
M4-.7 x 10mm length

• 50 and 75mm VESA
 (Screw **PP** x4)
M4-.7 x 10mm length

 (x4) Quick release plate (QRP) to device plate
8-32 x 1/4"

VESA hole spacing



Control Bionics: M4 x 10 (x4) Screw PP

Lightbox: 8-32 x 5/8" (x4) Screw B

Skyle: VESA 75 hole spacing on back of Skyle screw M4 x 8mm(x4). Use 8-32 x 1-3/4"(x4) with 2x2 spacer (not included with EVAL KIT)

Use four M4 x 8mm to attach the Multi Plate to the back of the Skyle...VESA 75

Use four 1-3/4" screws attach the Quick Release Plate-through the 2x2 spacer and into the Multi1 plate.

Quick Connect Receiver (QCR)

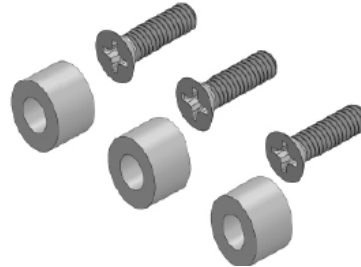
Included Hardware:

QRP to DP-QCR



(X4) 8-32 x 1/2" Screws

SALTILLO OFFSET
HARDWARE

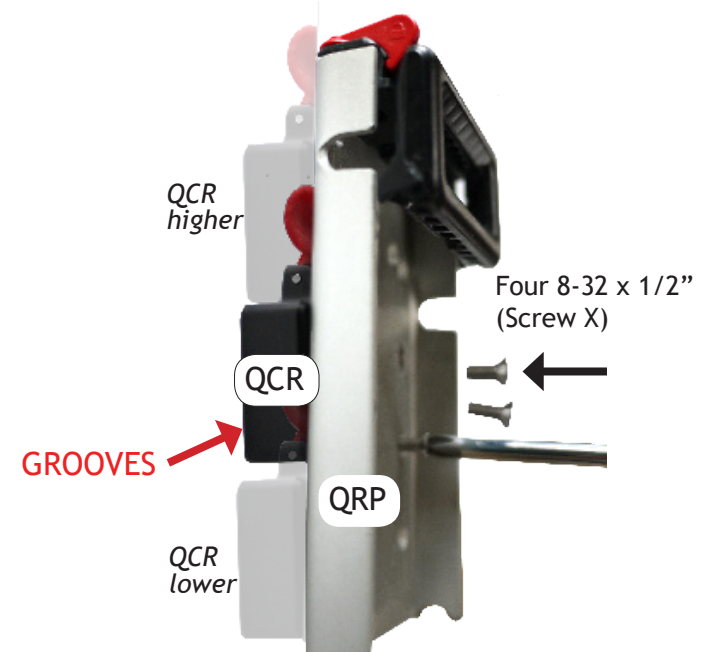
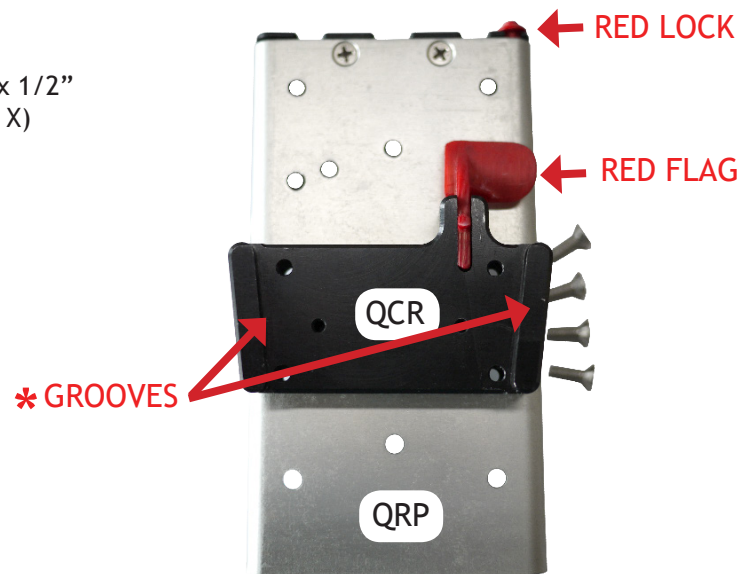
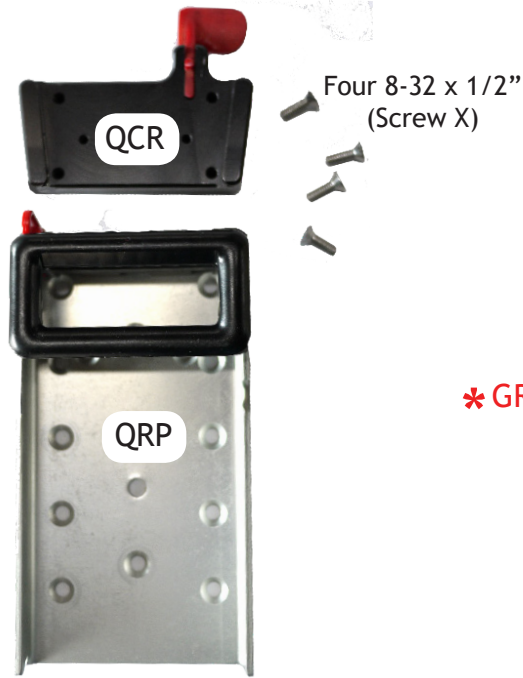


(X3) 6-32 x 1/2" Screws

(X3) 3/16" Nylon Spacers



Attaching the Quick Connect Receiver (QCR) to the Quick Release Plate (QRP)

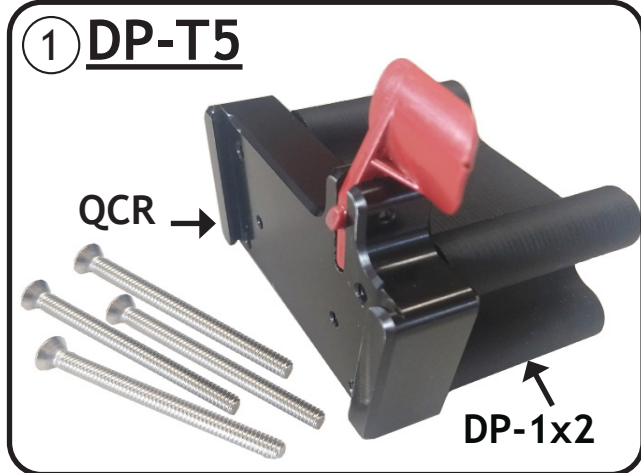


① Quick Connect Receiver (QCR) and the Quick Release Plate (QRP) and hardware four screw X.

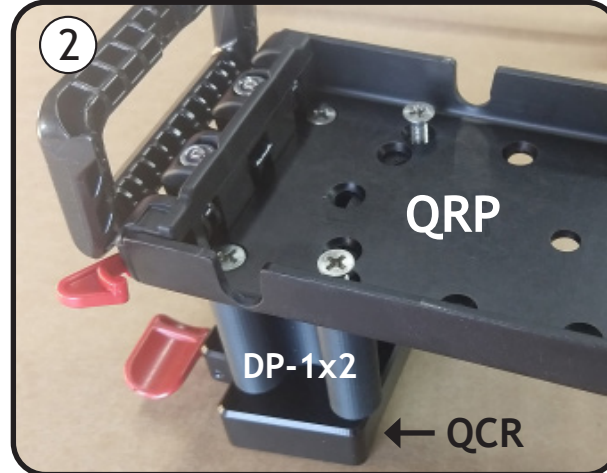
② Line up four holes in the QCR with corresponding holes in the QRP. * Note the grooves in the QCR are facing out. The red lock on the QRP and the red flag on the QCR are facing up.

③ Feed the four 8-32 x 1/2" screws through the inside of the QRP and into the back of the QCR. The hole spacing in the QRP allows adjustment higher or lower depending on preference

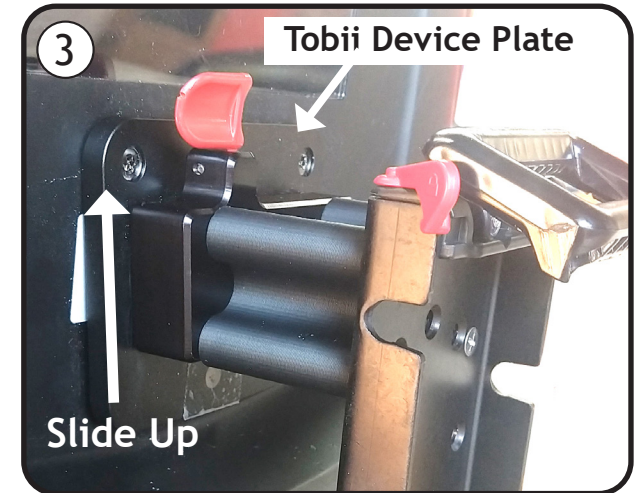
DP-T5 Attaching the Tobii I-13 or I-16 to a Mount'n Mover



The DP-T5 consists of the Quick Connect Receiver (QCR), the DP-1x2, and four 8-32 x 2" screws



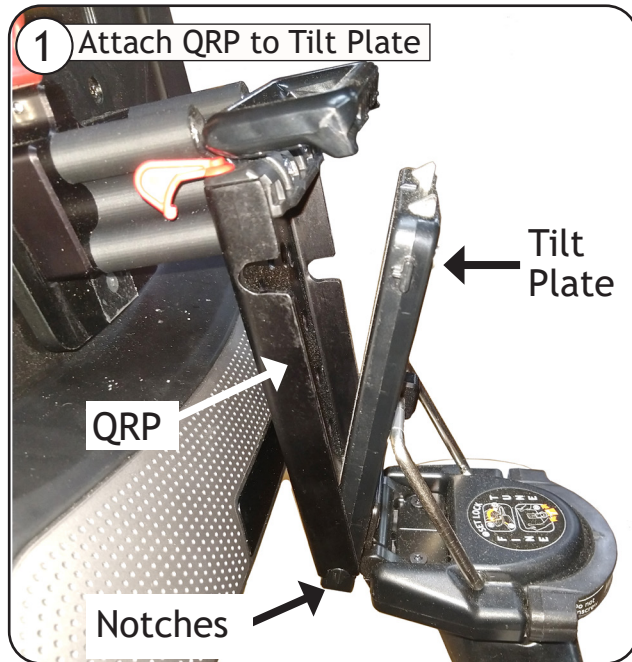
The four screws go through the Quick Release Plate (QRP), through the DP-1x2 and into the Quick connect receiver (QCR)



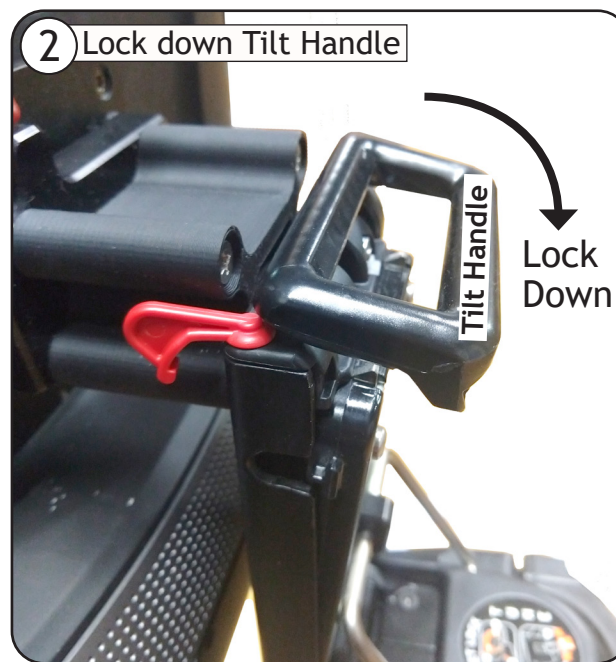
Slide the DP-T5 onto the connecting grooves on the Tobii device plate until it "clicks" in place.



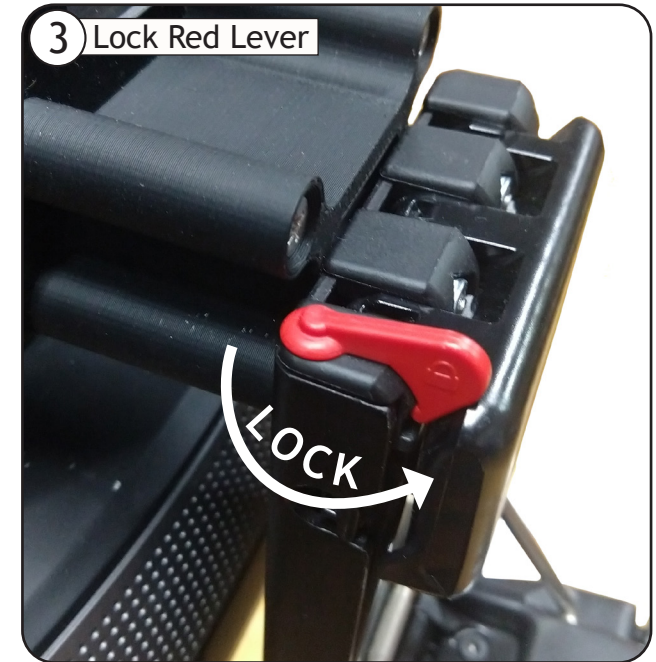
DP-T5 Attaching the Quick Release Plate (QRP) to the Tilt Plate



First connect the notches on bottom of the QRP to the protruding pins at the bottom of the Tilt Plate.



Lock down the black Tilt Handle.

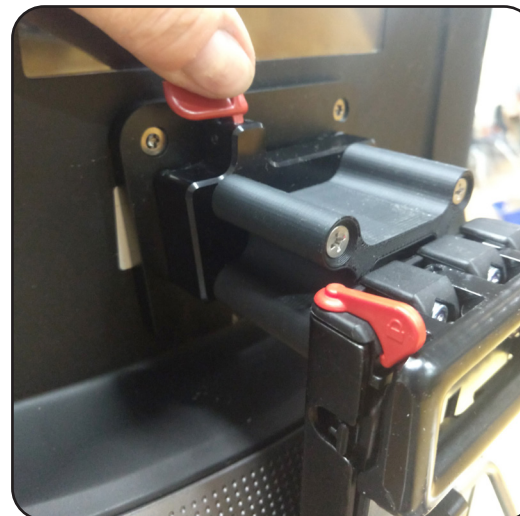


Swing RED LOCK LEVER into lock position. This locks down the Tilt Handle.



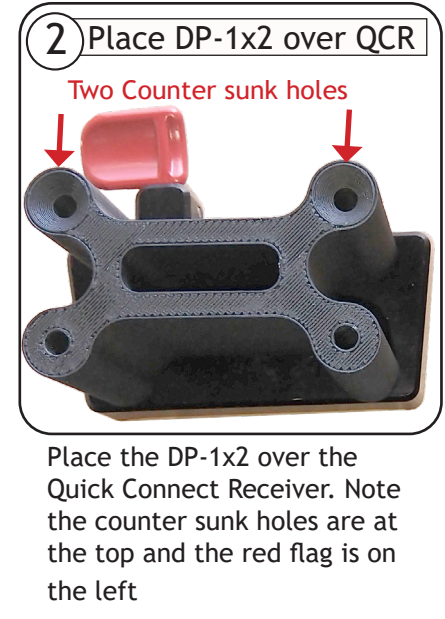
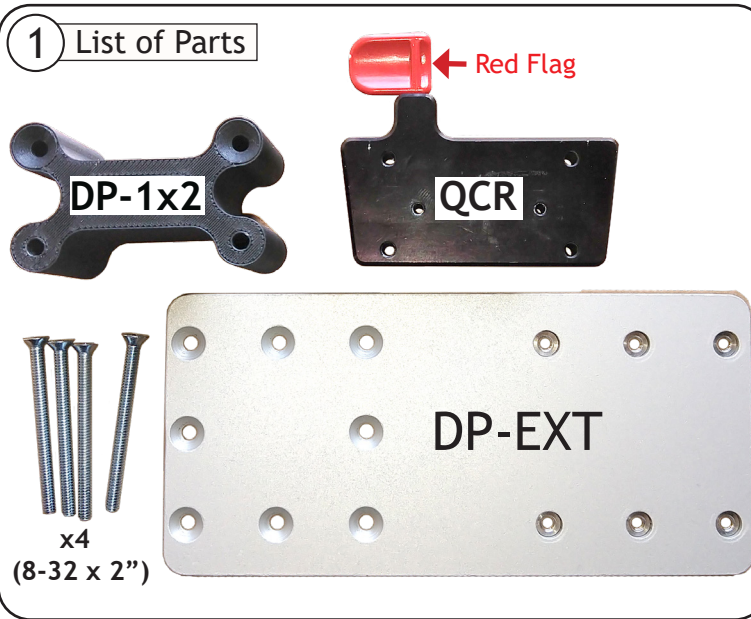
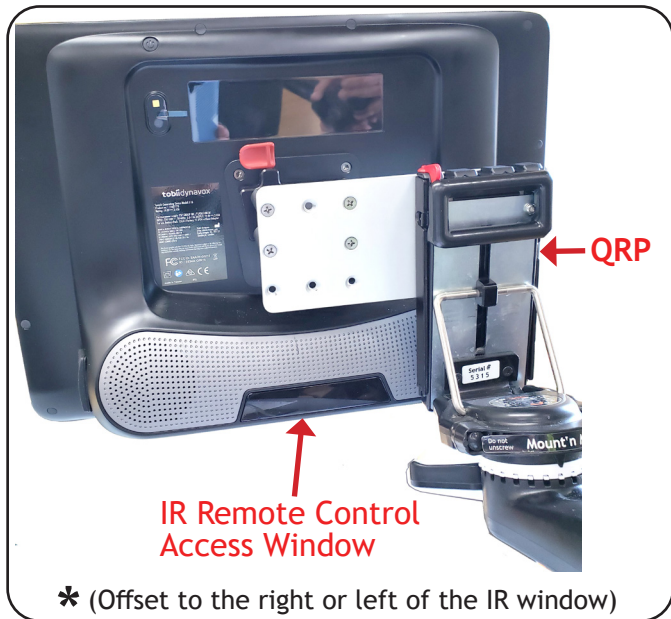
28 Tobii I-13 fully attached and locked in place

Remove Tobii I-13 or I-16 from Mount'n Mover

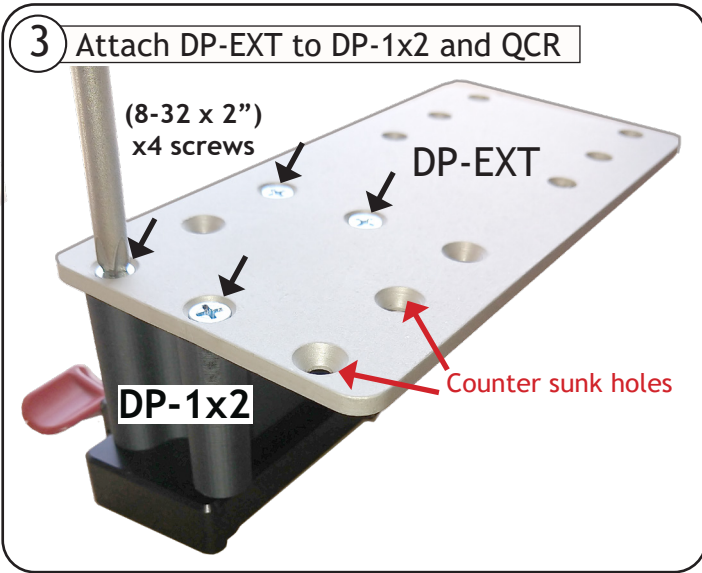


Tobii I-13 detached from Mount'n Mover

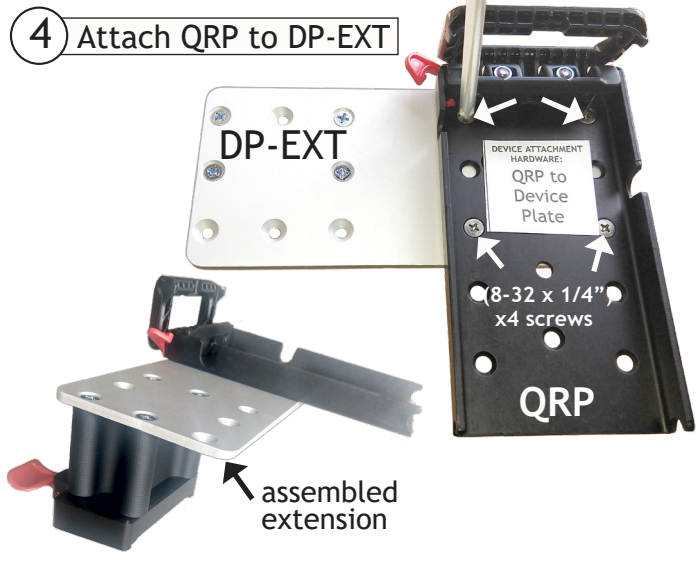
Set up for IR Remote Control Access for the I-13 and I-16 (DP-T5 + DP-EXT)



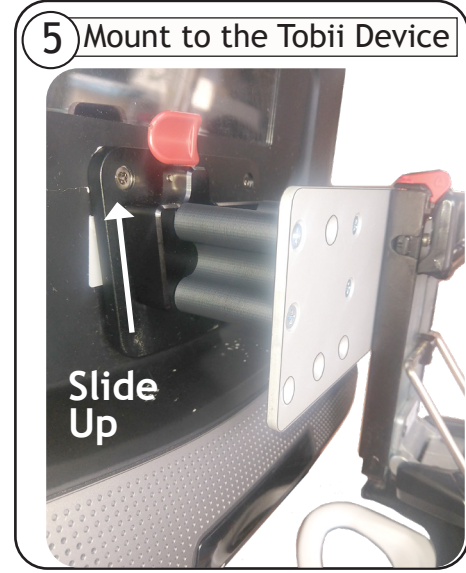
Parts needed are the DP-T5, the DP-EXT (Extension Plate), and the Quick Release Plate QRP (included with the Mount'n Mover)



Place DP-EXT over the DP-1x2 and use the four screws to attach all three parts together. Note the countersunk holes on the DP-EXT are facing up.



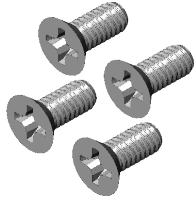
Place the Quick Release Plate (QRP) over the DP-EXT and attach to the threaded inserts in the EXT with four (8-32 x 1/4") screws (labeled QRP to Device Plate)



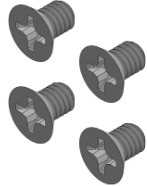
Slide the Extension up onto the connecting grooves on the Tobii plate until it "clicks" in place

DP-EXT (Extension Plate)

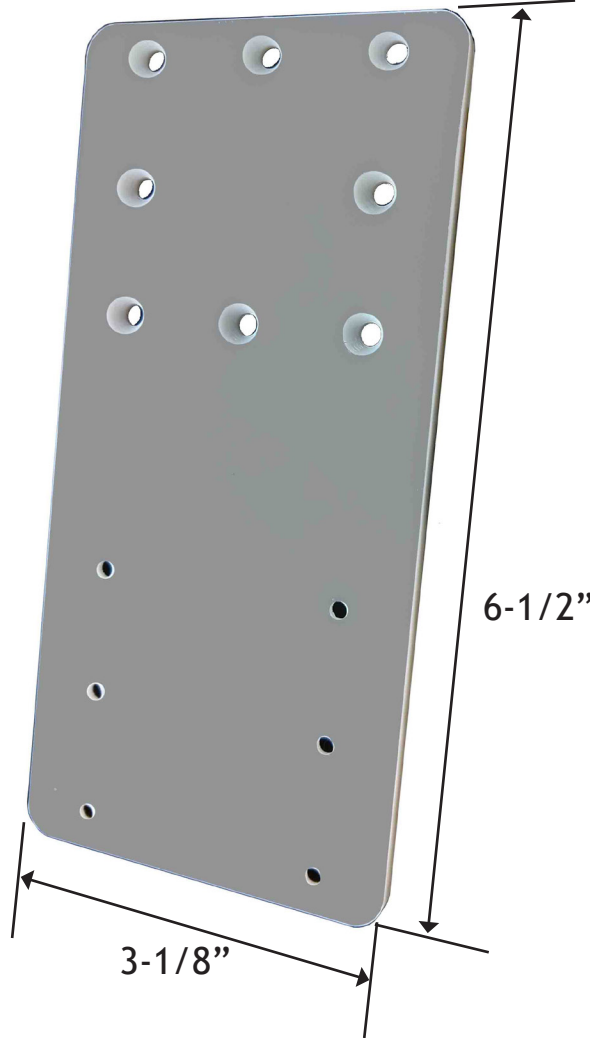
(x4) 8-32 x 1/2" Screw X



(x4) 8-32 x 1/4" Screw T



Use to lower the device for easier access.



Offset to access the infrared window on Tobii i13 and i16



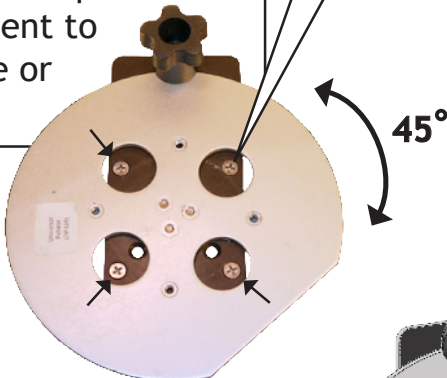
Use on larger devices to attach the Quick Release Plate lower to clear the white hoop and paddle



DP-UR Universal Rotator Attaches to: All Mount'n Mover device plates and trays

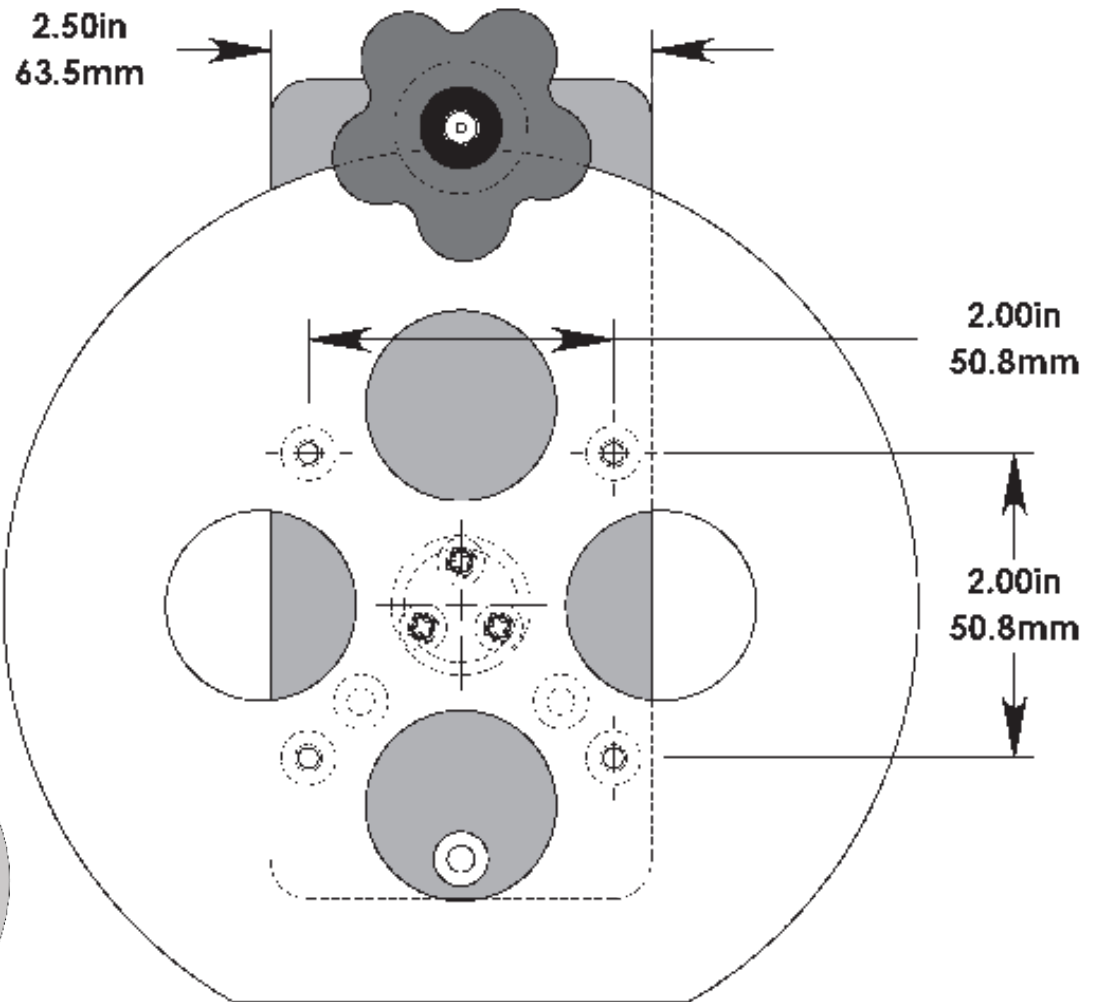
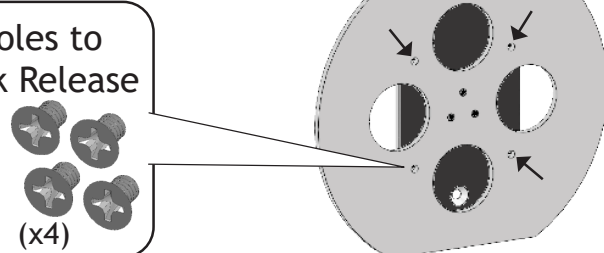
Universal rotator to device plate or tray
(These screws are not provided with Universal Rotator; Provided with device plate)
8-32 x 1/4" Flathead Screws (x4)

Loosen knob, rotate plate 45 degrees to expose holes for attachment to device plate or tray



45°

Align with holes to attach Quick Release Plate (QRP) (supplied)
8-32 x 3/16" (x4)



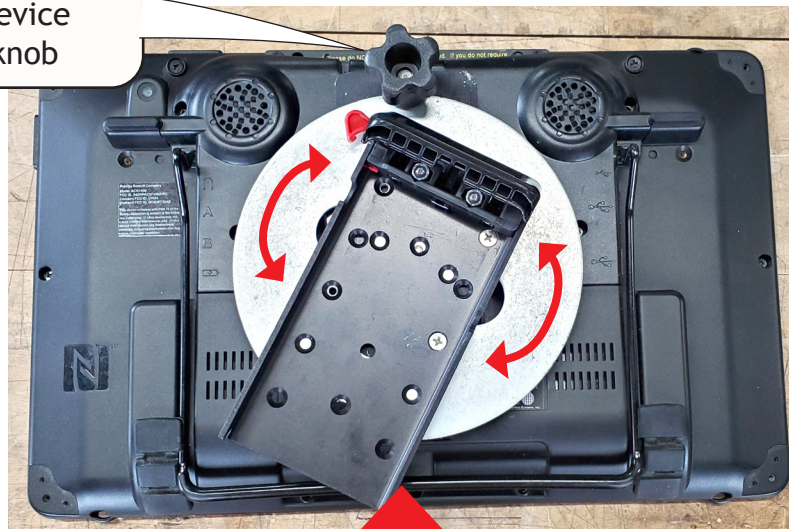
Universal Rotator (UR) * If you use too long of screws the rotator will not turn! Must use 8-32 x 1/16 inch long screws included with rotator

Attach device plate DP-QCR to device (shown with Accent 1400)



To adjust rotation:

1. Loosen knob
2. Rotate device
3. Tighten knob

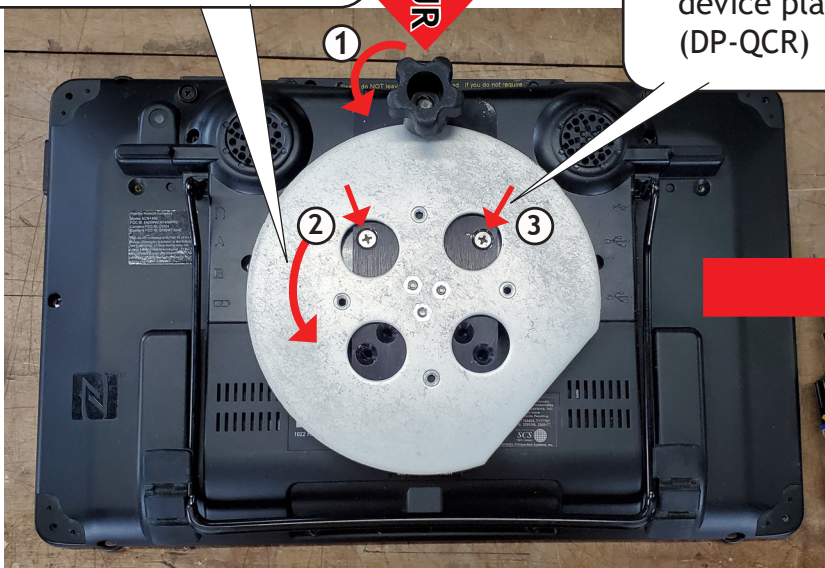


1. Loosen knob
2. Rotate plate to expose device attachment holes

ATTACH UR

3. Screw UR to device plate (DP-QCR)

8-32 x 1/2 (x2)



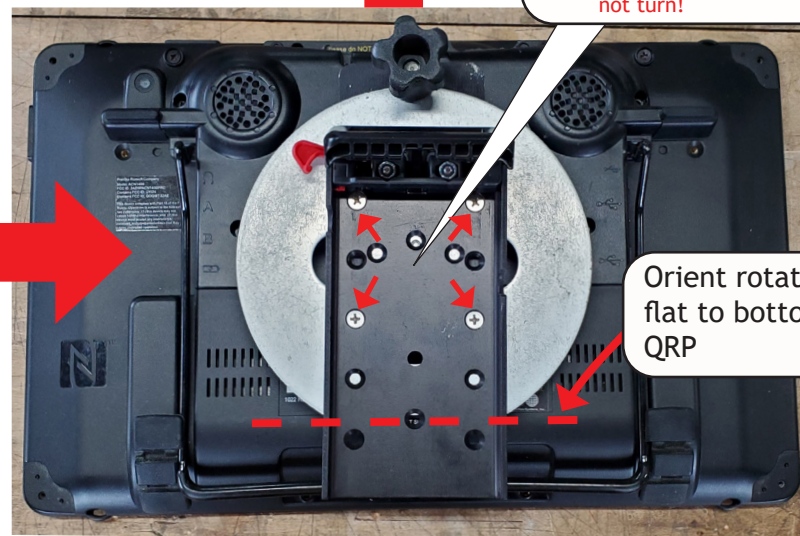
ATTACH QRP

Screw QRP to UR. Four screws included with QRP (8-32x3/16)

* If you use too long of screws the rotator will not turn!

ADJUST

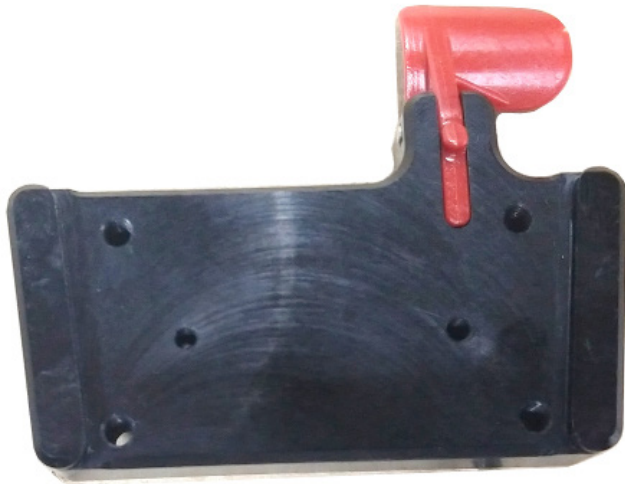
Orient rotator flat to bottom of QRP



DP-QCP Quick Connect Plate

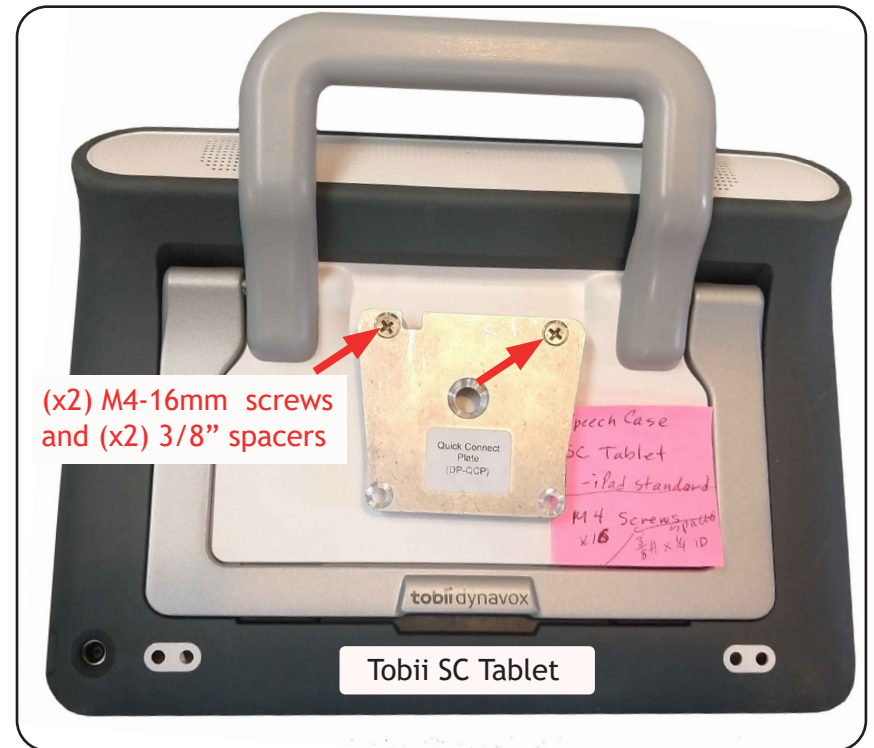


DP-QCR Quick Connect Receiver

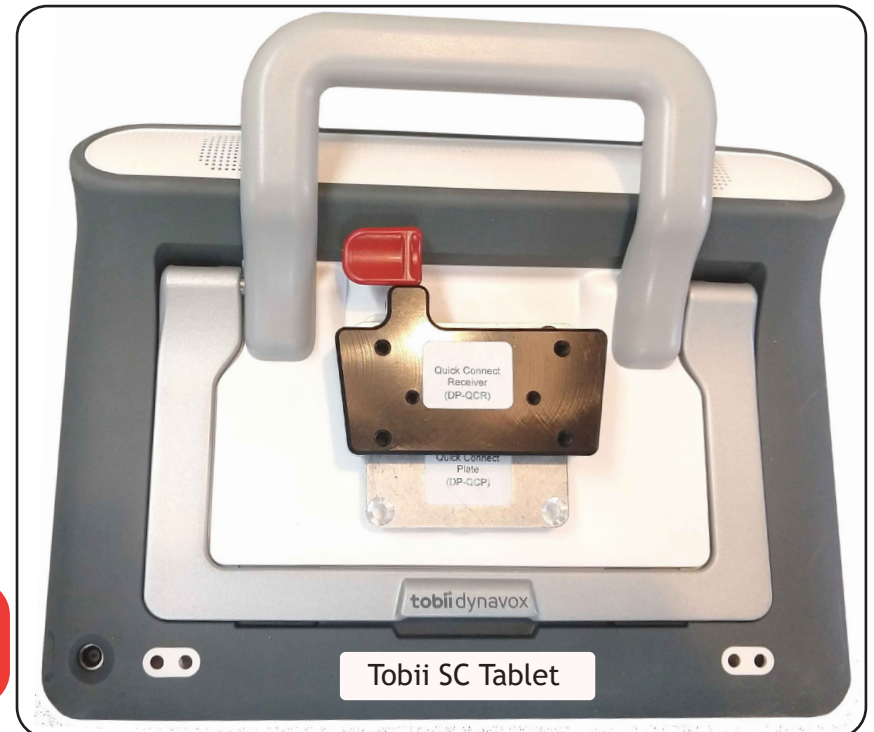


Angled slots in the DP-QCR line up with angles on the edges of the DP-QCP. The DP-QCR slides onto the DP-QCP starting from the bottom. Slide the DP-QCR up until it “clicks” into the lock position.

Attach the Quick Release Plate (QRP) to the Quick Connect Receiver (QCR)
See page 34.



(x2) M4-16mm screws and (x2) 3/8” spacers



Mounts and Accessories

Easy Mover Instructions

To Tighten or Loosen Joints



Use a 3/16 inch Hex Wrench with a ball end (included)
Adjust to your desired tension to move...easy, hard, or anywhere in between!

Attach the Quick Connect Receiver (QCR) to the Quick Connect Plate (QRP)



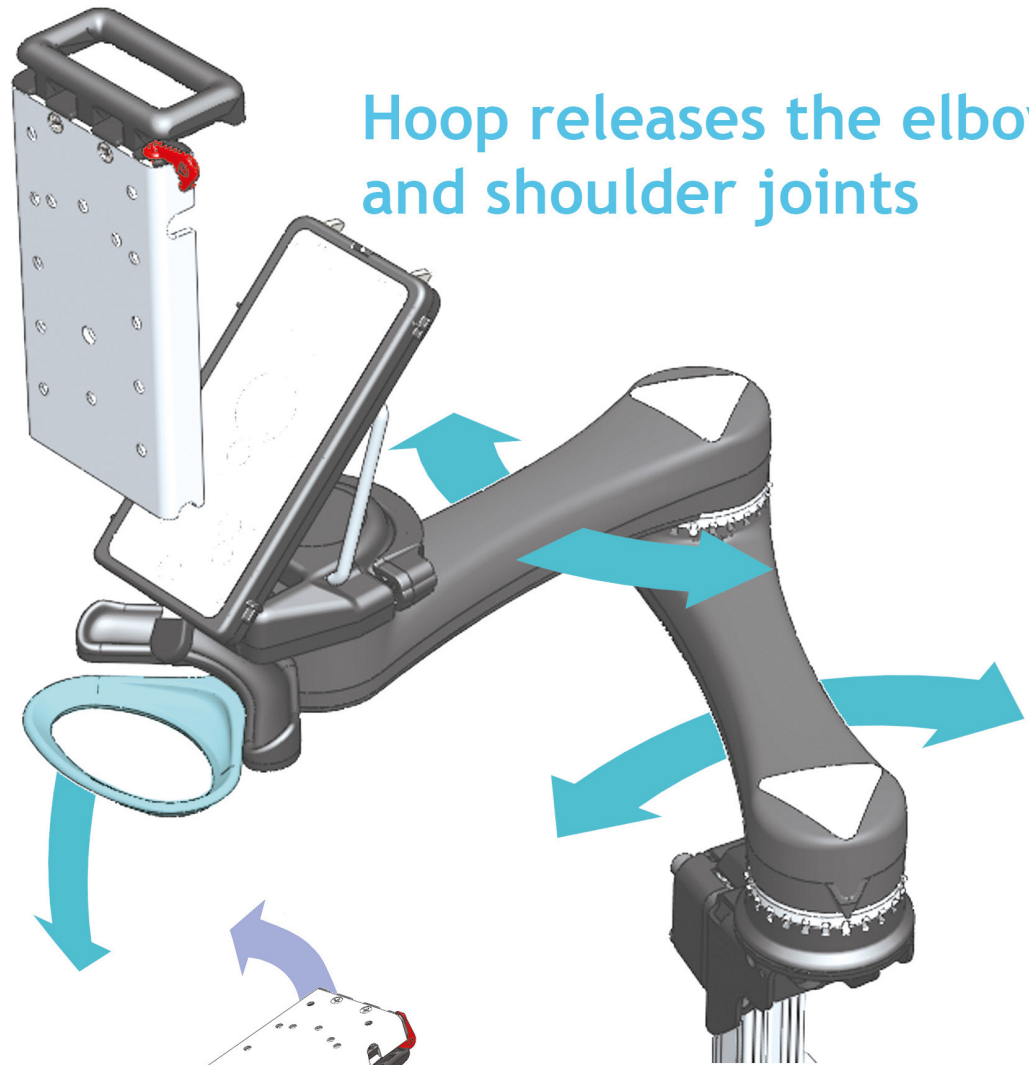
Quick Connect Receiver (QCR) and the Quick Release Plate (QRP). Attach the QCR to the QRP with four screws (8-32 x 1/2 inch) included with the Quick Connect Receiver. *Note the grooves on the QCR

Dual Arm Mount'n Mover overview

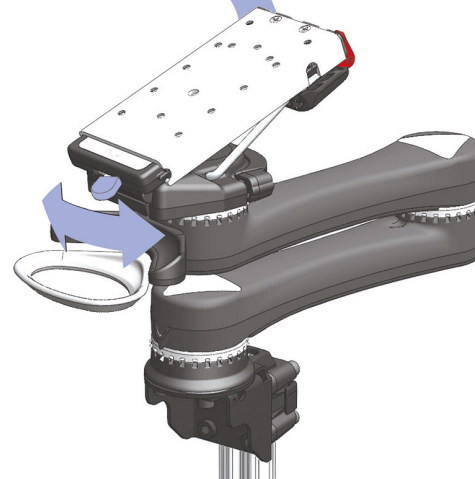
Paddle releases the tilt plate



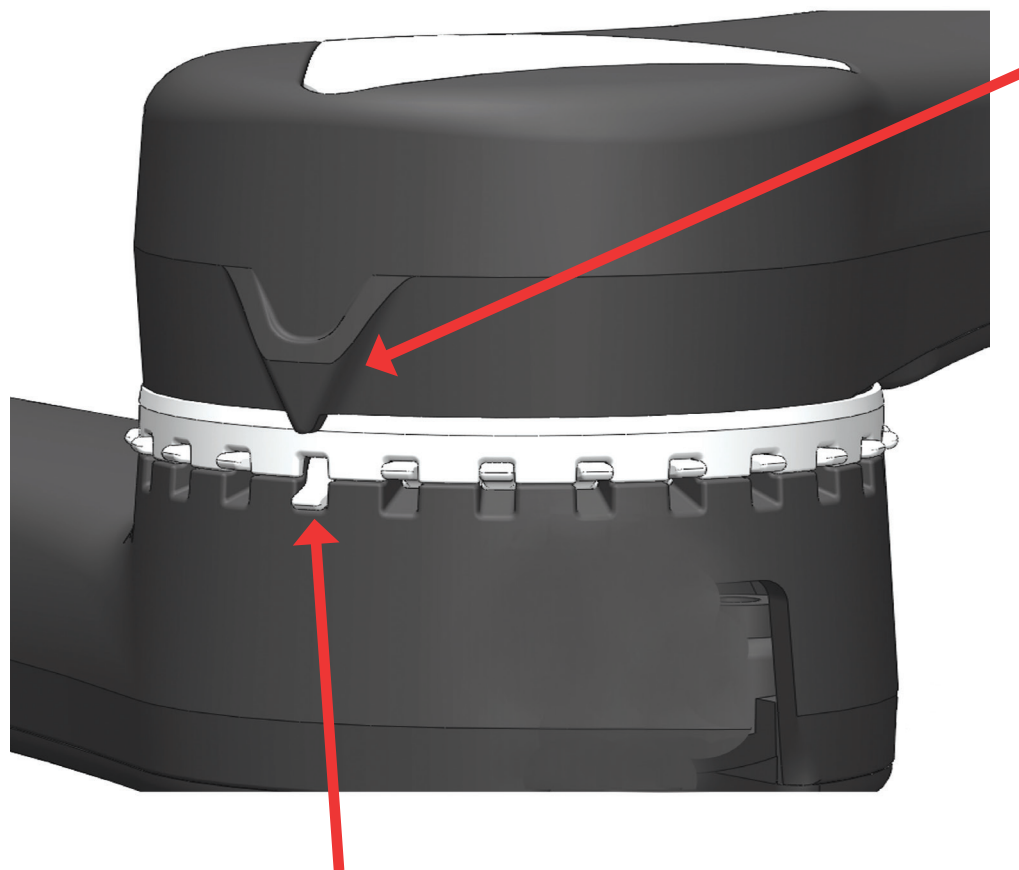
Hoop releases the elbow and shoulder joints



Tilt plate lever locks in the tilt angle



How to set a “lock” position



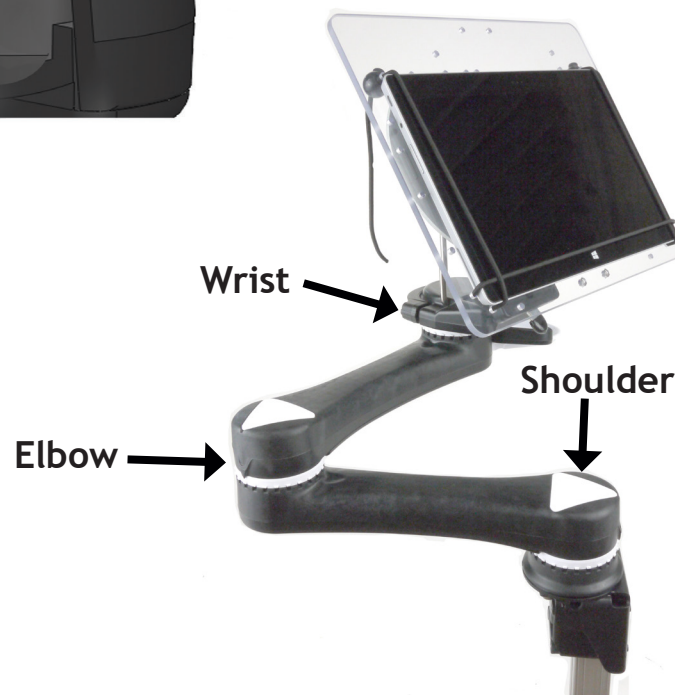
Lock Tab in the “down” position.

At each joint there is a black “arrow”. Whenever this arrow moves across a down lock tab...it locks in that position. To release shoulder and elbow, push on white hoop. To release wrist, push on black paddle.

*** NOTE ***

Do not try to lift up (unlock) the lock tab when the black arrow is over it.

This will cause the lock tab to break or bend.



A Suggestion for Positioning:

With all lock tabs “UP” at each joint, move device into desired position.

Once in position for use, look at the black arrow at each joint (shoulder, elbow, wrist).

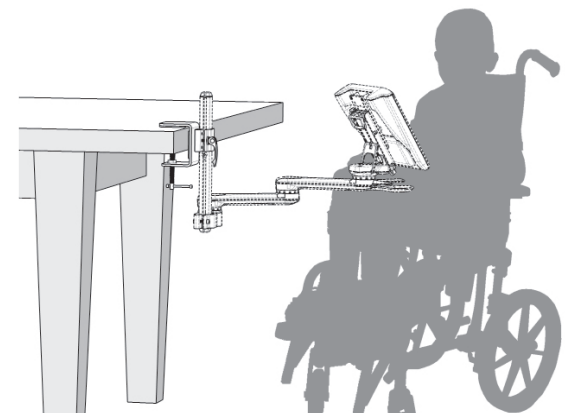
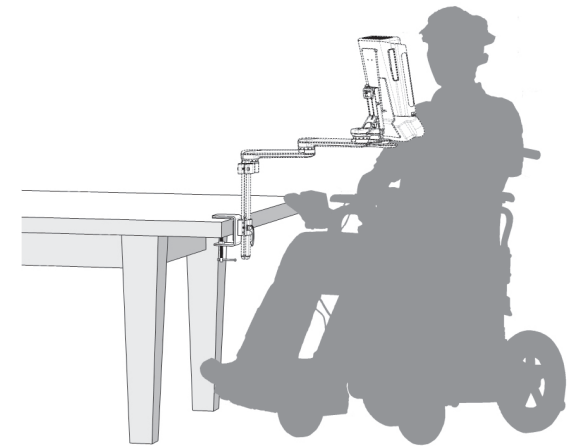
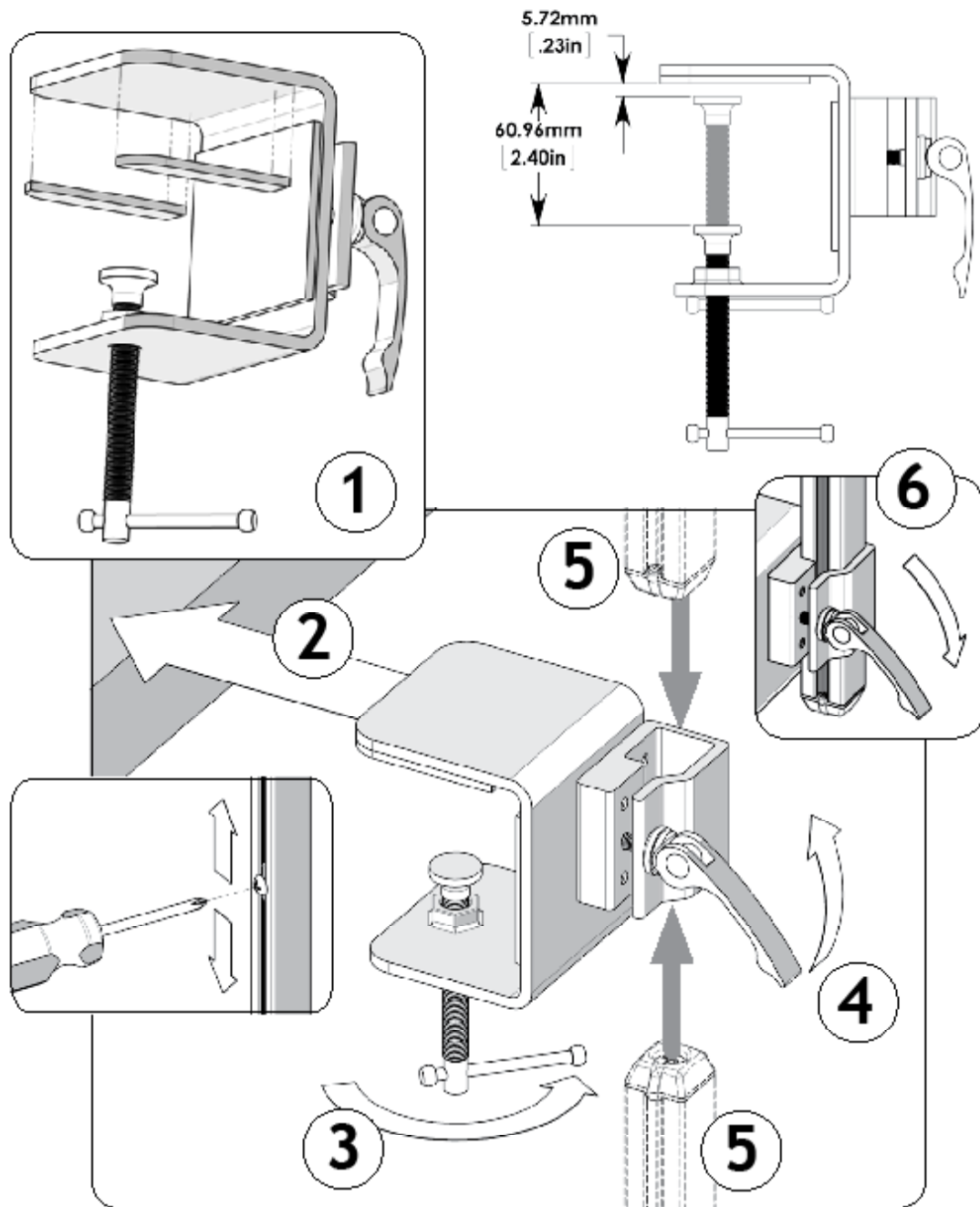
Put down a lock tab closest to the black arrow at each joint.

**Posts come in lengths 6,8,12,18, 24, and 36 inches
Custom lengths also available!**



Mount'n Mover™ TableClamp

Assembly • Use



Simple Mount - Small and Large

CAUTION!

Simple Mount Small

(3.5" x 7.0" x .25")



Simple Mount Large

(9.0" x 11.5" x .375")

***Holds 15 pounds!**

***Available in Post lengths: 8", 12", 18", 24", and 36"**

Lip Supports



Simple Mount Small includes 1 Lip Support
1/2" tall x 2" long

Simple Mount Large includes 2 Lip Supports
1" tall x 2" long

***Additional Lip Supports sold separately**

Do not loosen or remove bolt!



Caution! Do not use as a lift support



Max load 15 lbs!



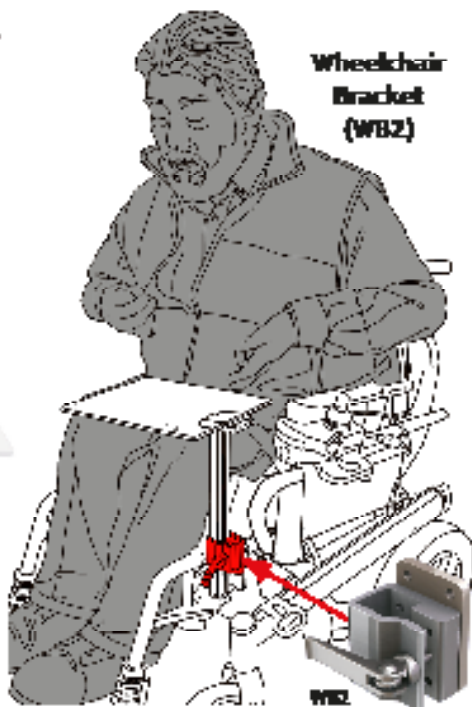
Wheelchair Attachment

Insert the Simple Mount post into the Wheelchair Bracket (WB2)

See website for instructions on how to use the WB2



Wheelchair Bracket (WB2)



Wheelchair bracket is attached to a wheelchair using Mount'n Mover hardware (sold separately) See website



L&E



AM



APZ

Offset Option



Offset the Simple Mount LG 1-3/8" to the right or the left



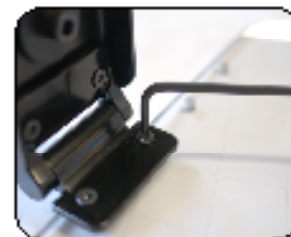
Offset left



Center

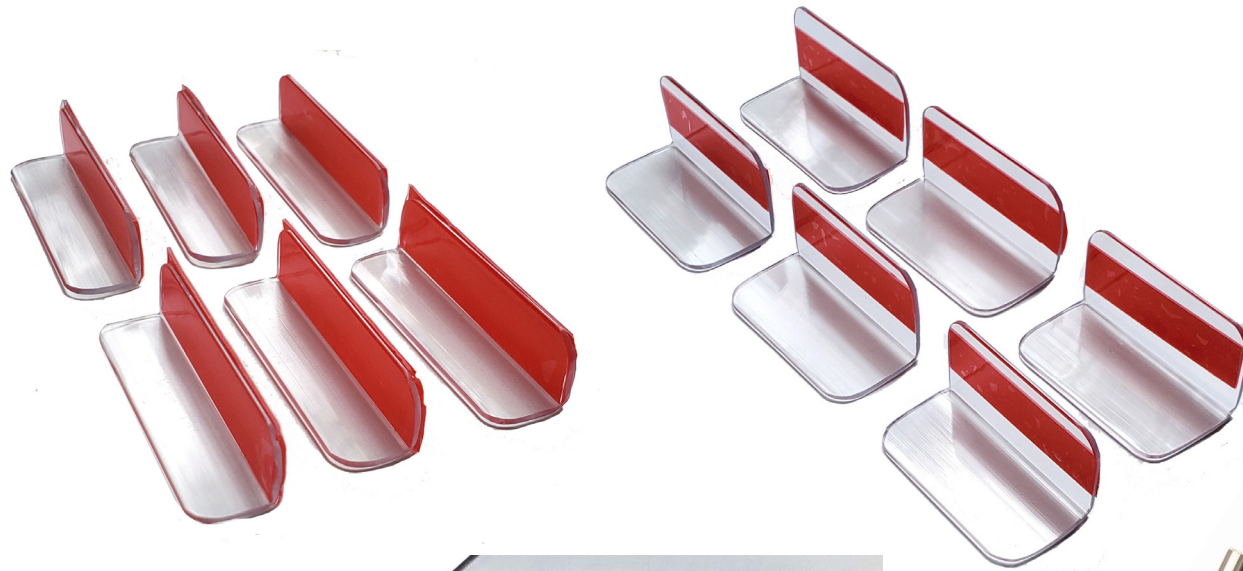


Offset right



Use a #T15 Torx wrench (included) to remove the screws holding the tray to the hinge. Move the tray to the desired offset location and tighten the screws.

Lip Supports Sets ___(1/2 inch and 1 inch)



Create Channels with the lip supports to hold your tablet or phone.



* Be sure to clean off any dirt or grease on surface of the tray with the provided alcohol wipe before sticking the channel on the tray.



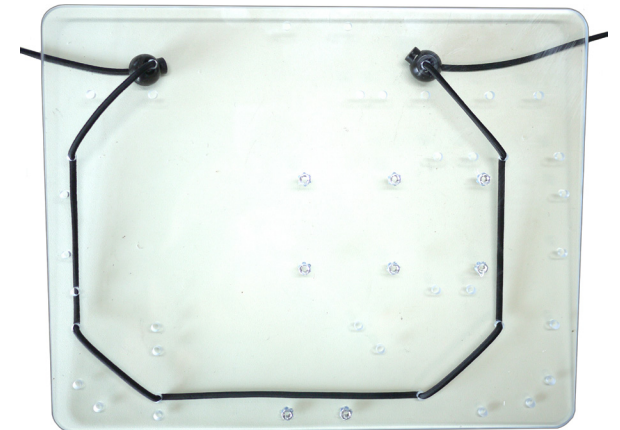
The Eval Kit includes: 1. A Large Laptop Tray.
2. A Large Tablet Tray or an iPad Tray (your choice).



Laptop Tray
(TR-LT)

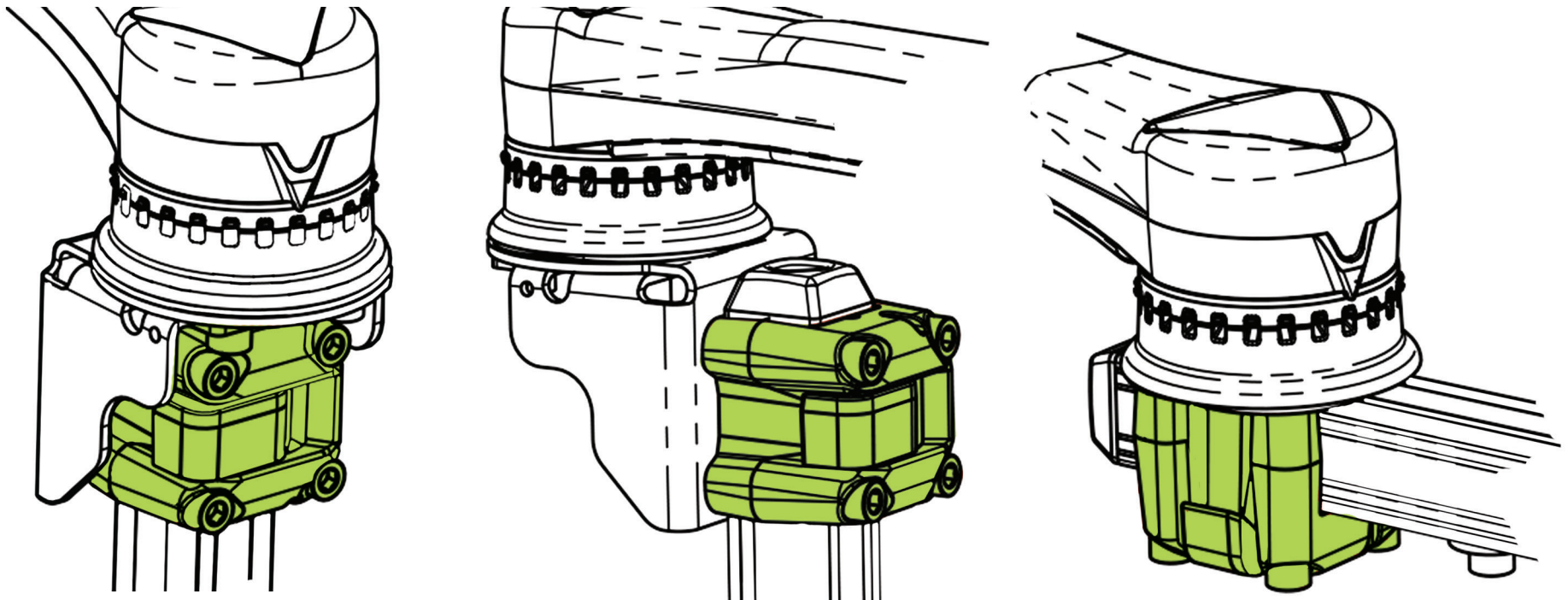


Large Tablet Tray
(TR-LG)

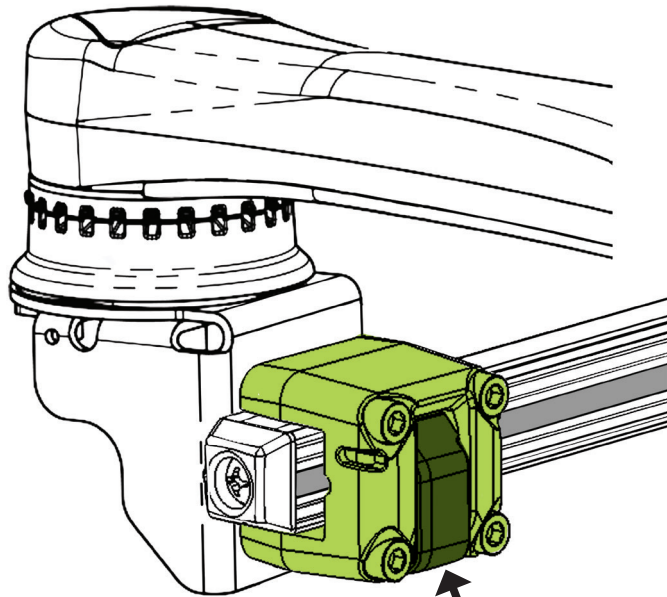


iPad Tray
(TR-iTab)

Link Cube Configurations



The Link Cube (in green), can be removed by taking out the four bolts and reattaching it in the configuration of your choice.

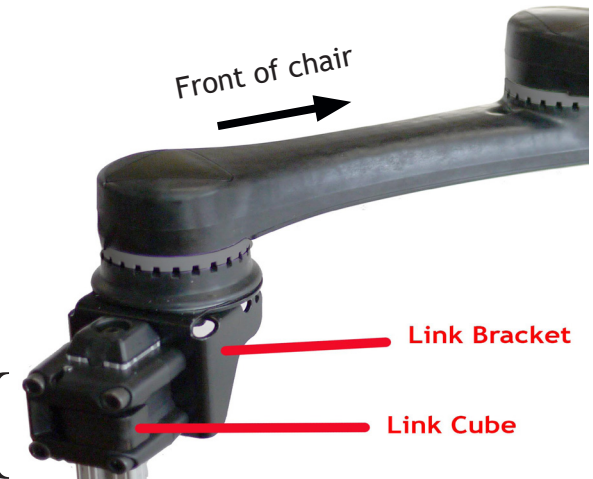


* Link Cube Lever

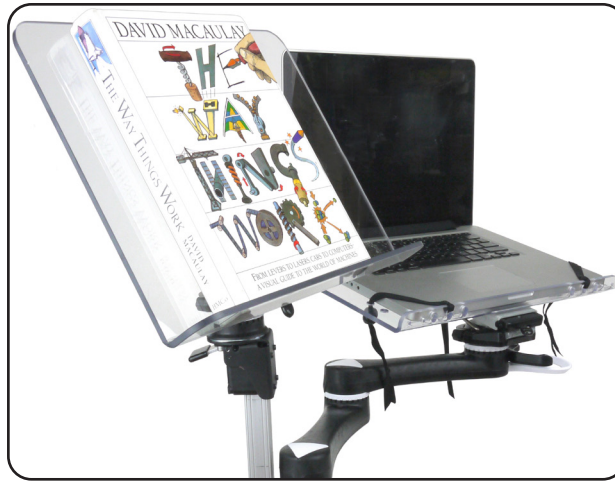
*** NOTE:**

If the four bolts are too tight the Link Cube Lever will not work as designed. You should be able to close the Link Cube Lever to lock the mount on the post. If you cannot close/open the lever, the four bolts are too tight.

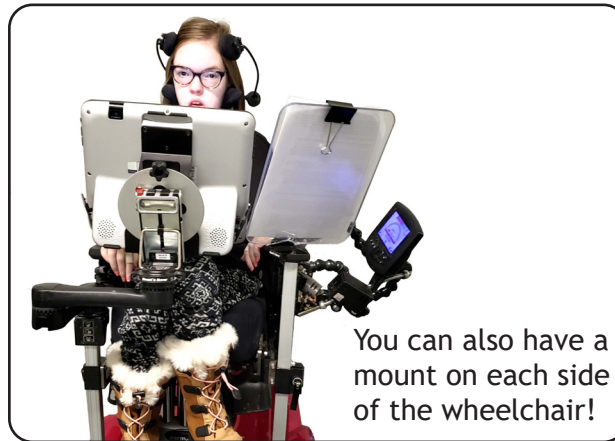
This configuration gives more forward reach of the mount.



Multi Mounting Systems



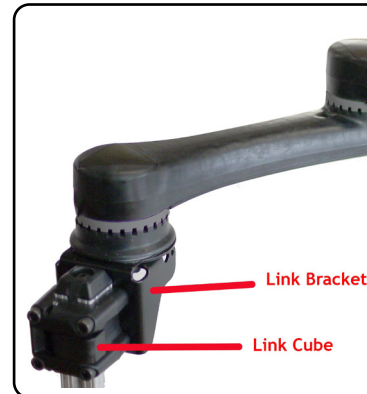
See our website (or call us!) for many more examples



You can also have a mount on each side of the wheelchair!



Two dual arm mounts on one post



For two mounts on one post, move the link cube to the outside of the link bracket. This allows you to slide the mount lower down on the post.

Choose a mount that best fits your needs and abilities!

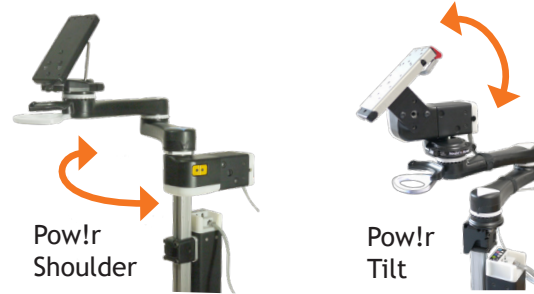
Manual



Manual models are easily operated one-handed

Our movable mount comes in dual-arm, single-arm and simple models, offering a wide range of choices based on your needs.

Motorized Pow!r



The Pow!r models' rotary joints move with the touch of a switch

Use it to:

- Bring a backpack within reach
- Independently bring a suction or hydration tube to your mouth
- Adjust the tilt angle of an eyegaze system to see for driving



Shane rotates joystick out of the way with the Pow!r Mount

Accessorize to fit your life!

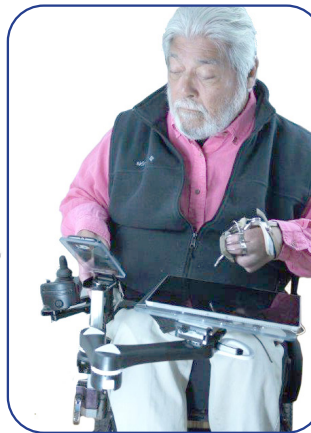
Our attachment release design makes swapping out a device or tray a snap!

Attachment plates for speech generating devices



Multitask!

Combine mounts to secure and position multiple devices at the same time.



Double-decker system!

Trays for every use!



Mount laptops, iPads, tablets, phones, cameras, eating and reading trays or custom.

Mount'n Mover™

by BlueSky Designs

BlueSky Designs
2637 27th Ave South
Suite 209
Minneapolis, MN 55406
612-724-7002
www.mountnmover.com
info@blueskydesigns.us

THE MOUNT MENTOR EVAL SHEET

Need help building a mounting system? Please complete the following steps and return to: info@blueskydesigns.us

- Step 1. Complete section A
- Step 2. Take photos as described in section B
- Step 3. Provide post length determined in section C
- Step 4. Complete wheelchair frame information in section D

* We will contact you with a quote. Additional support for installation and use is available via phone, Skype, or email.

*** required info**

A Lets get started....first we need some information:

Contact Person

Organization _____
Name _____
Title _____ Phone # _____
Email _____

Attach to: (Check all that apply)

- Wheelchair (Make/Model) _____ *
- Power _____
 Power Standing _____
- Manual _____
With manual w/c does client apply brakes? Y N
- Tilt / Adjustable _____
Do you need to remove both foot rests? Y N
- Stroller _____
- Walker/Gait Trainer _____
- Bed _____ * Include photos
- Floor Stand Table

Device / Tray [See website for Device Plate Graph](#)

- SGD or AAC make/model _____ *
- If Tobii I-13 or I-16 will the client use IR feature? _____
- Does Device have QRM/UDS bracket? _____
- Phone make/model/dimensions _____
- Tablet-iPad Make: _____ Model: _____
Dimensions: _____
- Rotate portrait to landscape required?
- Laptop Tray 12 x 16 Tray
- Require access to more than one device? Y N
- If yes: At the same time
 Change as needed
 Two Mounts: one post - (double decker) two posts

Client (Optional)

Name/initials _____
Age _____ Diagnosis _____

Client Characteristics

How does client access their device?

Direct Select Switch Eyegaze/Head Tracker

If direct select:

Light touch Medium touch Strong touch

Will the client move it? Y N

If yes, what arm preference? Left Right Both

Can they cross midline? Y N

How does client drive Power Wheelchair?
(if applicable)

Hand joystick on: Left Right

Chin joystick Head array

Prefer to mount on: Right side Left side

Is there an existing tray on w/c? Y N

If yes, will it need to be used at
the same time as the mount? Y N

Will footrests need to be
rotated or removed? Y N

Preferred Mount(s) www.mountnmover.com

- Locking
- Dual Single Tilt'n Turner
- Non-Locking (adjustable resistance)
- Dual Single Tilt'n Turner
- Pow!r Mount
- Pow!r Shoulder Pow!r Tilt
- Simple (tray on post)
- Large Small
- Not sure

B Attaching the Mount'n Mover pictures are very useful!

Please send JPEGs of each of these views to info@blueskydesigns.us



Angled view



Side view



Front view



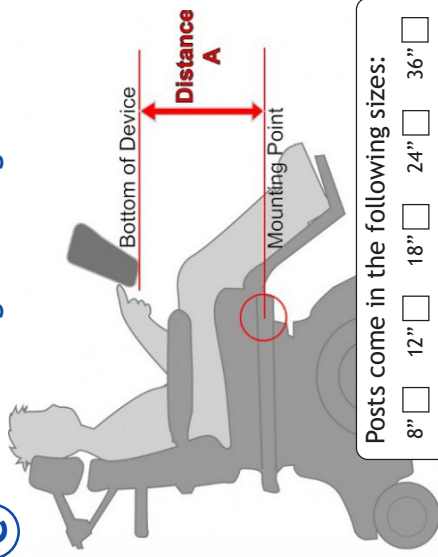
close-up view

Pointers:

- Hold the device where you want it in relation to the client
- Move lap belts, blankets etc so the frame is visible
- Please include client in wheelchair.

* See website for wheelchair examples and more specific information

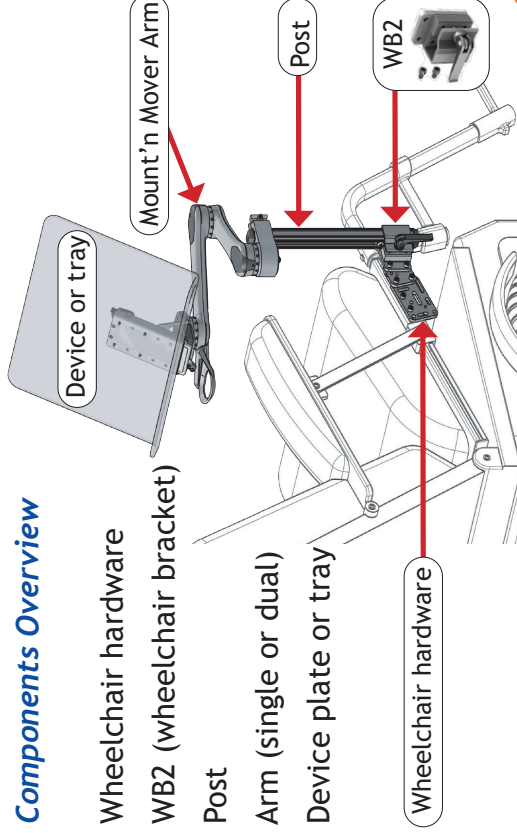
C Determining Post Length - A



Posts come in the following sizes:
 8" 12" 18" 24" 36"
 Need a custom size? _____"

Components Overview

1. Wheelchair hardware
2. WB2 (wheelchair bracket)
3. Post
4. Arm (single or dual)
5. Device plate or tray



D What type of frame do you have?

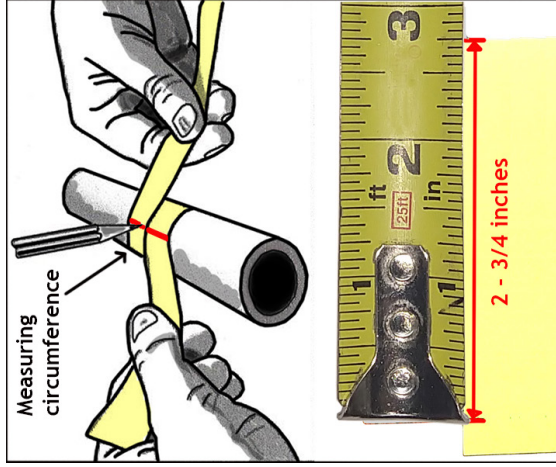
- Permobil Unitrack Frame
- Single slide track (Invacare, Quantum, Amy)
- Round tubing
 - Please measure circumference
 - Round tubing with holes

Circumference measurements:

Horizontal tube _____
 Vertical tube _____

NOTES: _____

Measuring your round tubing for correct clamp size



Common Clamp Sizes	
Circumference	Diameter
2 3/4"	7/8"
2 3/8"	3/4"
3 3/16"	1"
3 17/32"	1 1/8"
3 29/32"	1 1/4"
4 5/16"	1 3/8"

*We can fit many more sizes than shown above. Just tell us your circumference!

See wheelchair mounting guides on our website (www.mountnmover.com)
 If you don't see your chair...call us!

