

Mount'n Mover™

by BlueSky Designs

quick guide

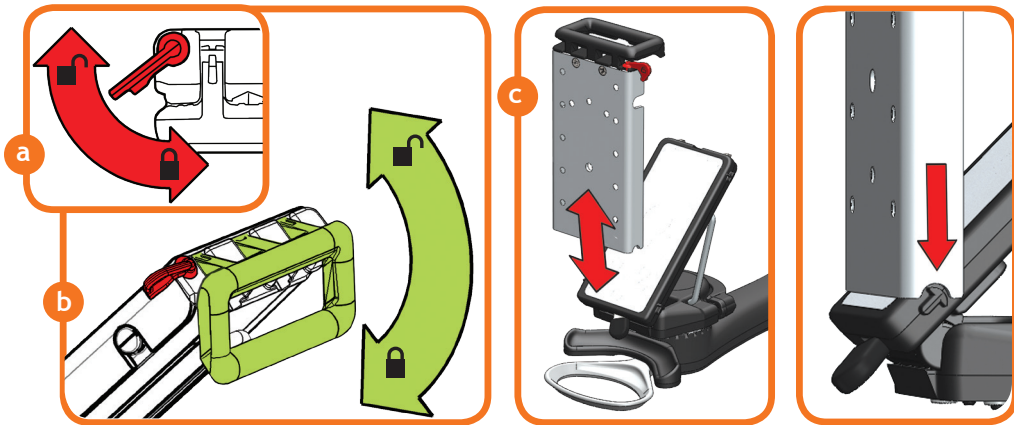


This guide describes the basics of setting up your Mount'n Mover so that it stops at, moves from, and returns to any desired position. For further assistance, please call us at 888-724-7002, or 612-724-7002 or check out our website for more detailed instructions.

mountnmover.com

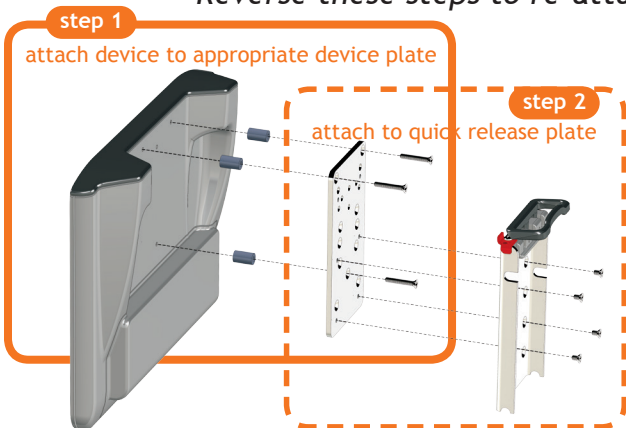
attach it

- detach Quick Release Plate (QRP)
- reattach QRP
- attach device to device plate

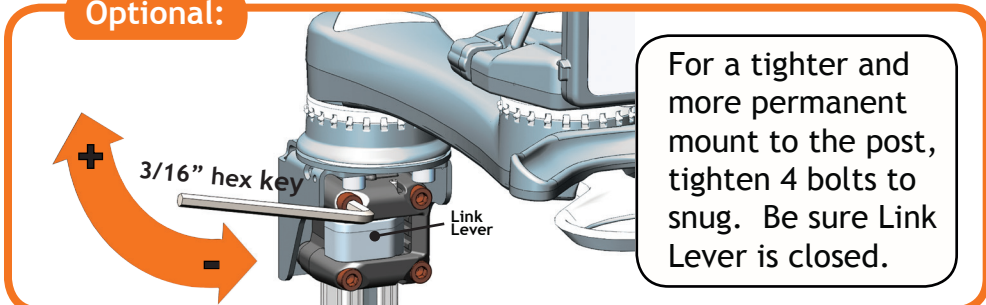


- a: Release "red lock" by rotating clockwise
- b: Unlock by pulling out + up on handle (highlighted green)
- c: Lift off by pulling forward and up

Reverse these steps to re-attach to device plate



Optional:



For a tighter and more permanent mount to the post, tighten 4 bolts to snug. Be sure Link Lever is closed.

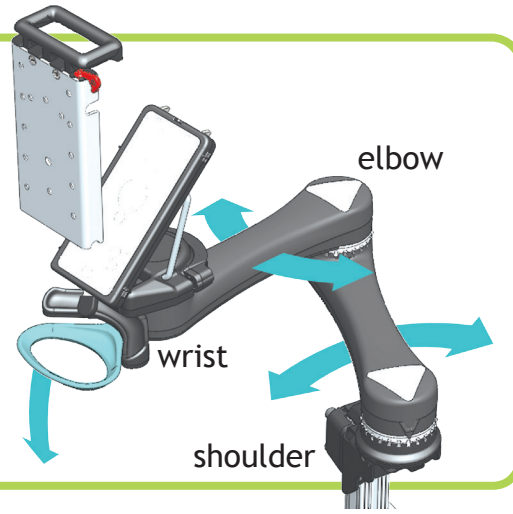
move it

- move shoulder & elbow joints
- rotate wrist joint
- change tilt-plate angle

Depress **HOOP** to unlock elbow & shoulder joints

Move It from lock position

To find lock position release downward pressure on hoop and move until arm stops



Depress **PADDLE** to release the wrist lock

Move it

Wrist will remain unlocked until it reaches lock position

Slide **LEVER** to the right to unlock the tilt-plate

Position the tilt-plate to the desired orientation

Slide the LEVER to the left to lock the tilt-plate



set it

To set custom lock positions:
Align black arrow with desired lock position and slide lock tab down

Initial Setup

Flip up all lock tabs so joints move freely with no lock positions

⚠ You cannot unset a lock tab with the black arrow directly above it

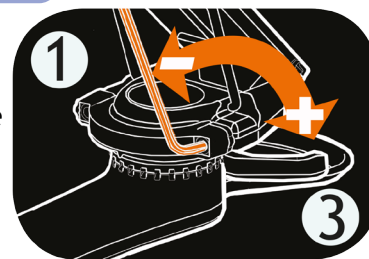
Orient to best fit user needs; move black arrow to nearest lock tab; slide lock tabs down to set locks



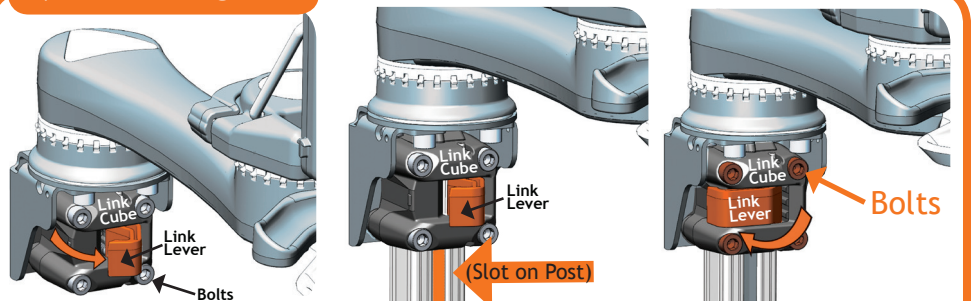
Fine Tune Wrist

precisely adjust lock position

1. Loosen hex head bolt
2. Adjust device orientation
3. Tighten hex head bolt



Mount Link Cube



Open Link Lever (if difficult to open, loosen each bolt slightly).

Slide Link Cube on to post. Line up slot on post with front of cube.

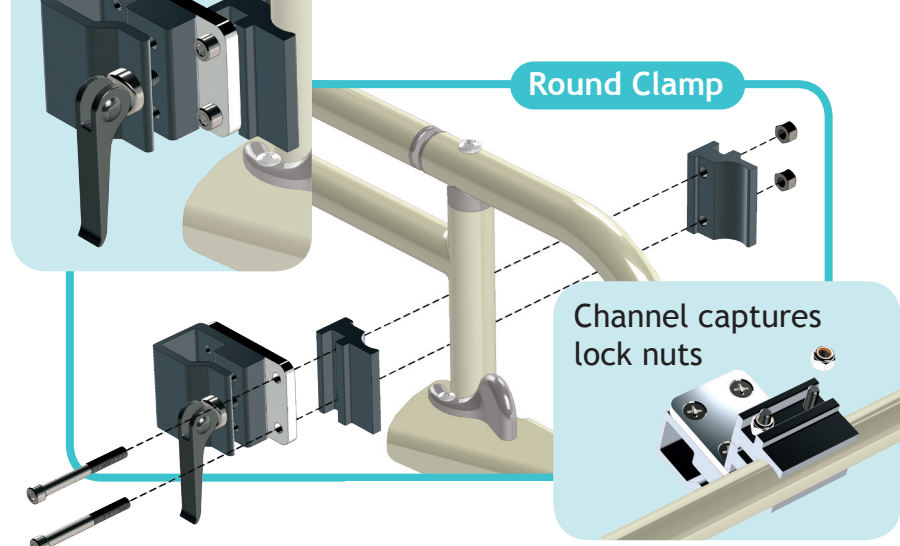
Close Link Lever to secure cube to post. If cube moves on post, tighten bolts 1/4 turn.

mount it

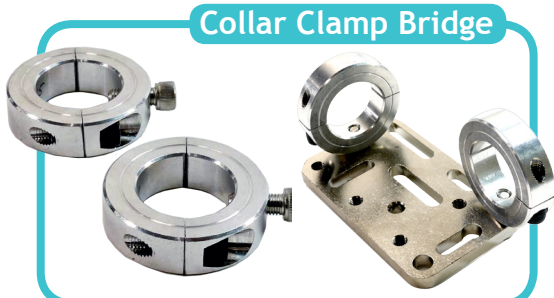
- step-by-step instructions and mounting options are available at: www.mountmover.com
 - periodically check that all screws are tight

● 1/4-28 threads

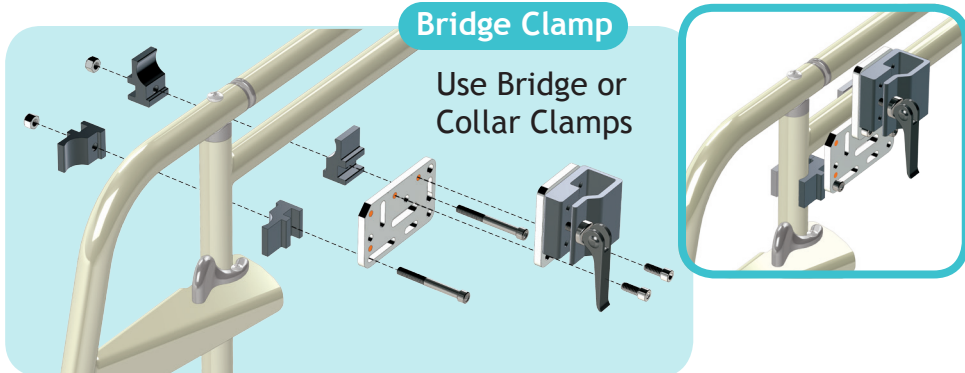
Use our Round Clamp for mounting vertically to round tubing



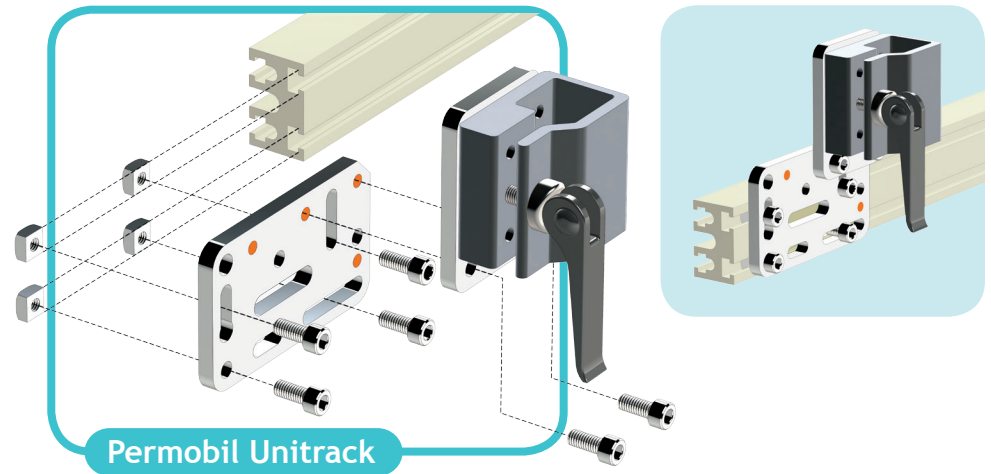
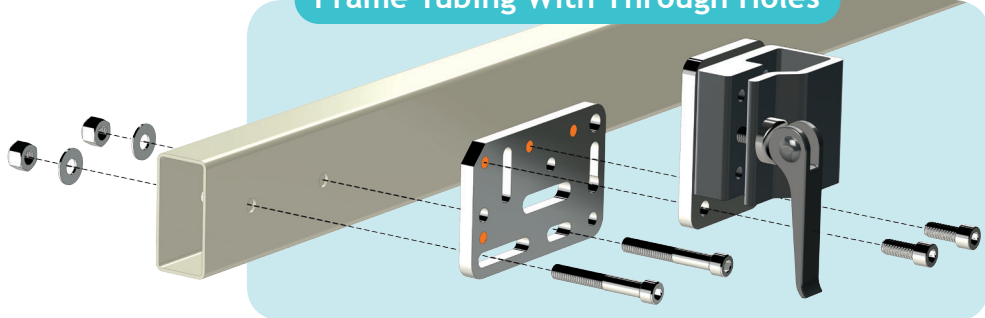
Collar Clamps come in a wide variety of sizes to fit most round tube wheelchair frames



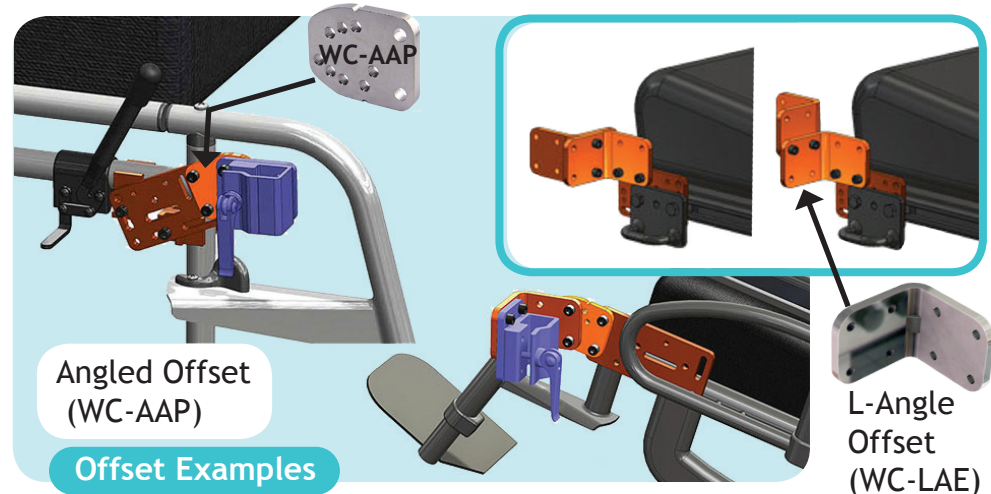
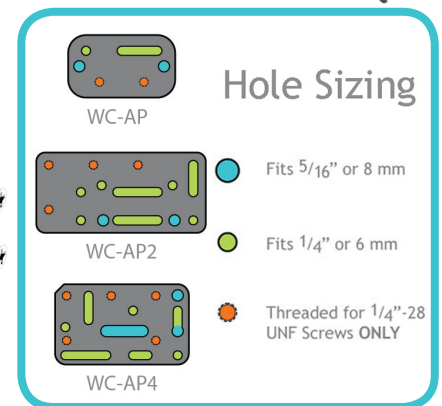
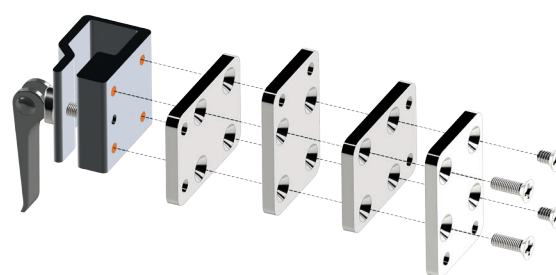
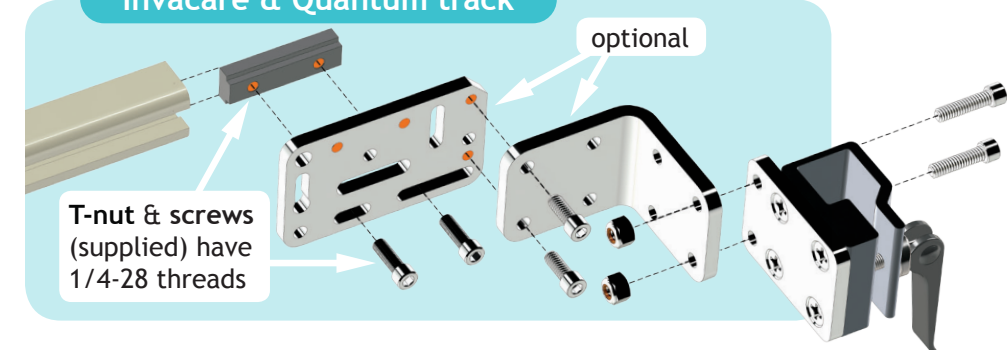
Our Bridge Clamp provides a stable mounting solution for most chairs with round tubing



Frame Tubing With Through Holes



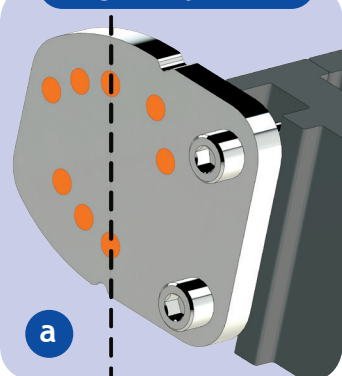
Invacare & Quantum track



adjust it

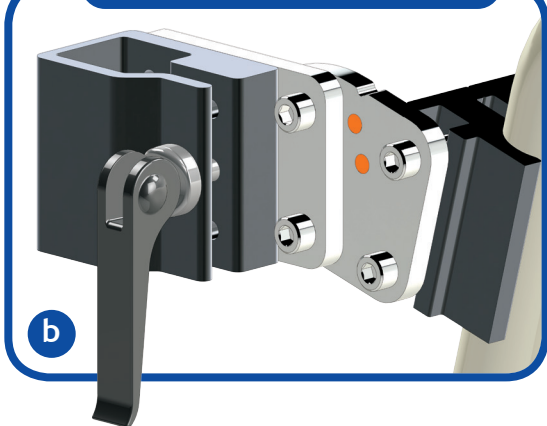
a + b - post should be vertically oriented for the user's typical upright position (dashed line in a)
 c - slots in clamp + post must align
 d - post clamp pressure should be set so that, when clamped, the post is held tightly and securely
 e - post height set screw ensures repeatable height & safety

Angle Adj. Plate

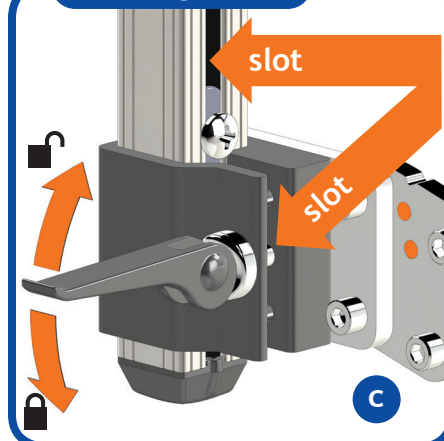


Flip the plate for more angles (every 7.5°)

Solid Wheelchair Bracket

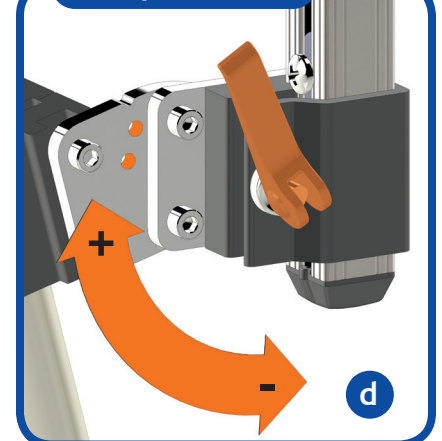


Post Alignment

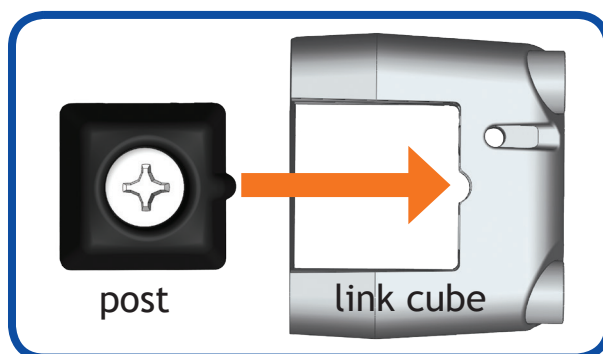
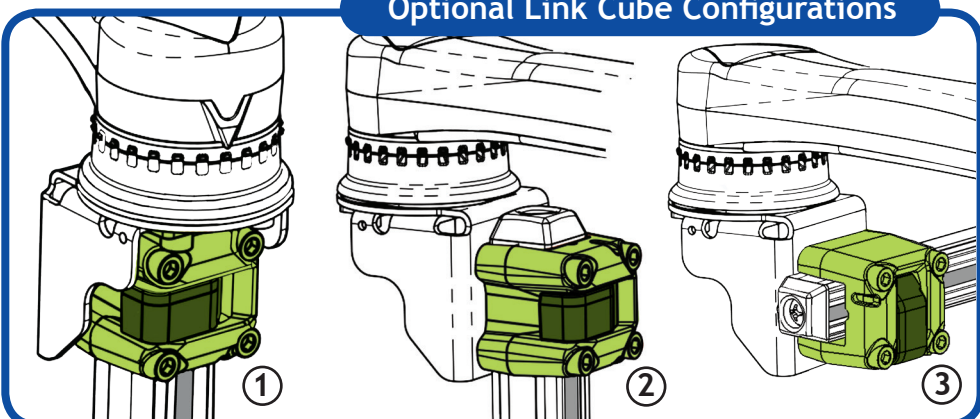


Post is correctly aligned when the post and clamp slots are aligned

Clamp Pressure



Optional Link Cube Configurations



Post Height

