

Material:

6061-T6 Aluminum - Extruded

Coating:

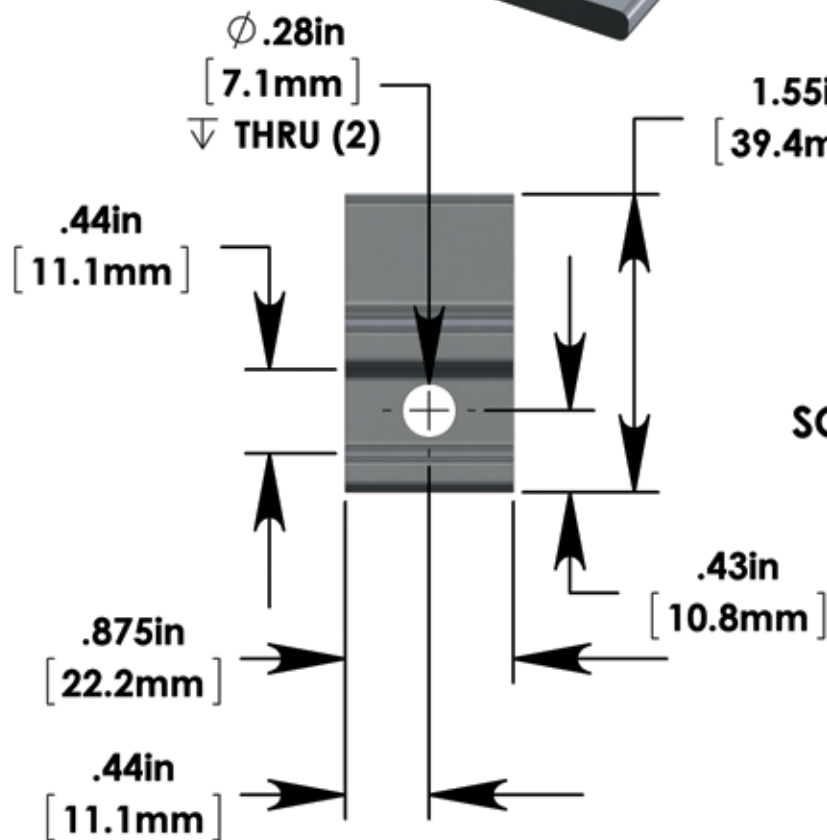
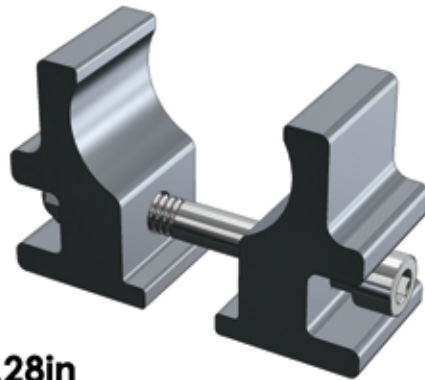
Hard Anodized - Black

Hardware:

(1) 1/4-28 x 2 1/4" Socket Head Cap Screw [F]

(1) 1/4-28 Lock-nut [A]

SCALE 1:1



SCALE 1:1

