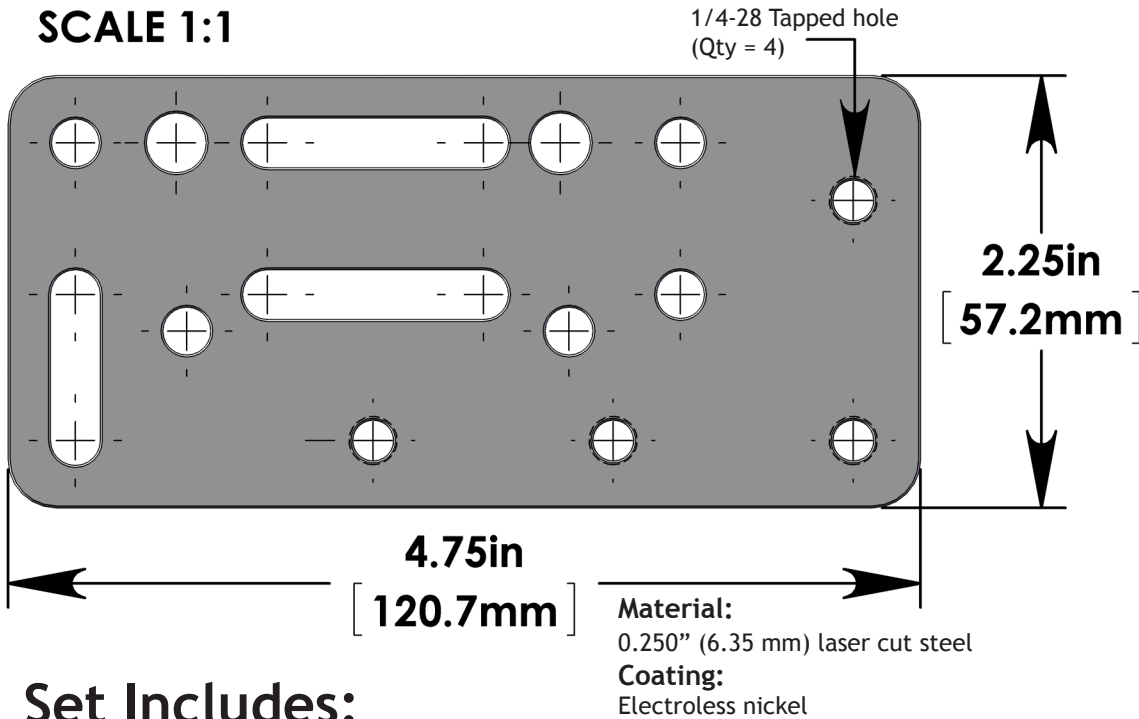


Adapter Plate 2 (WC-AP2) Multi-Use Plate

SCALE 1:1



Set Includes:

(1) Adapter Plate 2 (WC-AP2)

Hardware - Plate to Plate Attachment

(2) 1/4-28 x 1/2" Socket head cap screws [JJ]

Hardware - Quantum:

(1) 5/16-18x1 Hex Cap Screw [00]

Hardware - Unitrack:

(4) M6-1x14 Socket Head Cap Screws [DD]

(4) M6-1x10 Square Nut [G]

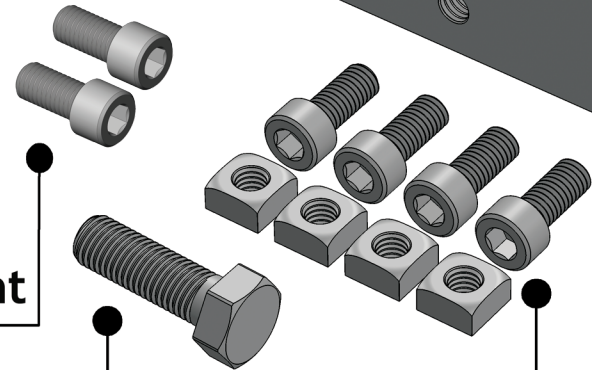
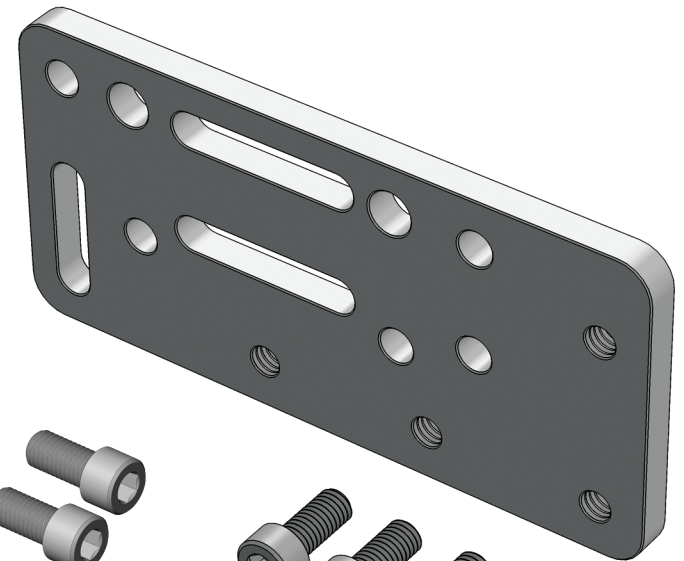
Plate to Plate Attachment Options

- Non-threaded hole to threaded hole = Good
- Non-threaded hole to non-threaded hole with nut = Good
- Threaded hole to threaded hole = Not good
(will damage threads!)

Hole Pairing Options

- Two holes = BEST
- Hole and slot (horizontal or vertical) = Good
- Slot and slot (both horizontal) = Good
- Two vertical slots = NOT GOOD! (could slip!)

Plate
to
Plate
Attachment



QUANTUM

Permobil
**UNITRACK
ONLY!**

Mount'n Mover™
by BlueSky Designs

mountnmover.com

Product: WC-AP2, Adapter Plate 2

Weight: 10.0 oz. (0.28 kg)

1-888-724-7002 (toll free) or 1-612-724-7002

pg 1 of 1

Wheelchair Attachment Overview

* All plates are considered 'multi-use plates' and can be configured, combined, and used in a variety of ways.



Start with a power or manual wheelchair

Anchor to Chair

* What you use will depend on what kind of chair frame you have.

- Round tubing
- Slide track
- Hole-spacing
- Tie-Down



T-Nut (WC-TN)



Adapter Plate 2 (WC-AP2)



Adapter Plate 4 (WC-AP4)



Round Clamp (WC-R1 or R7/8)

Span the bridge clamps with a plate



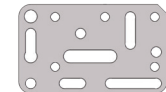
Bridge Clamps



Adapter Plate 2 (WC-AP2)



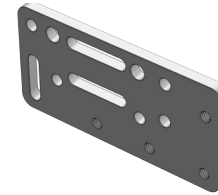
(WC-AP)



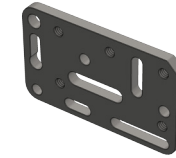
(WC-AP4)

Plate to span across the clamps

OPTIONAL OFFSET



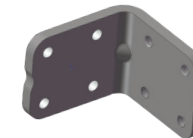
Adapter Plate 2 (WC-AP2)



Adapter Plate 4 (WC-AP4)



Angle Adjust Plate (WC-APAP)



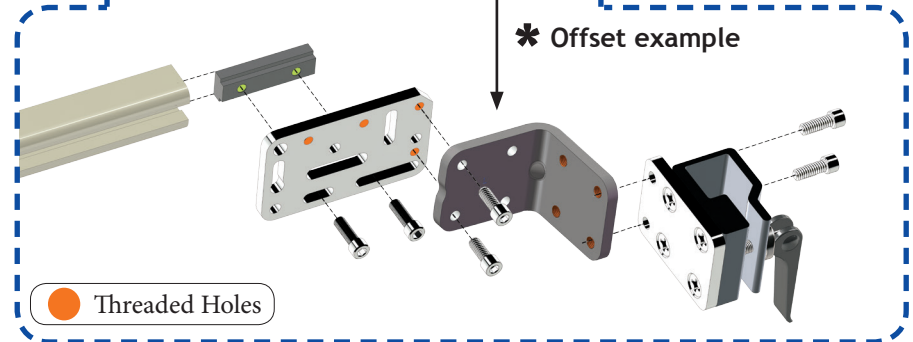
L-Angle Extension Plate (WC-LAE)

Wheelchair Bracket



(WB2)

* Offset example



Threaded Holes