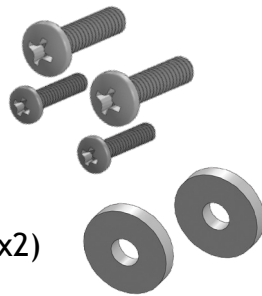


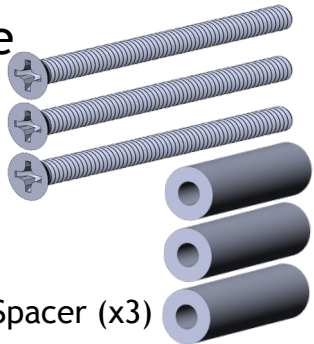
**Attaches to: EyeMax with Eye Gaze
Maestro with Eye Gaze**

**EyeMax to device
plate (DV2)**



8-32 x 1/2" (x2)
9/16" OD x 1/8" Nylon Spacer (x2)
4-40 x 1/2" (x2)

**Maestro to device
plate (DV2)**

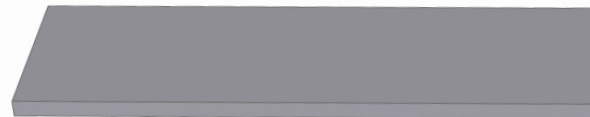
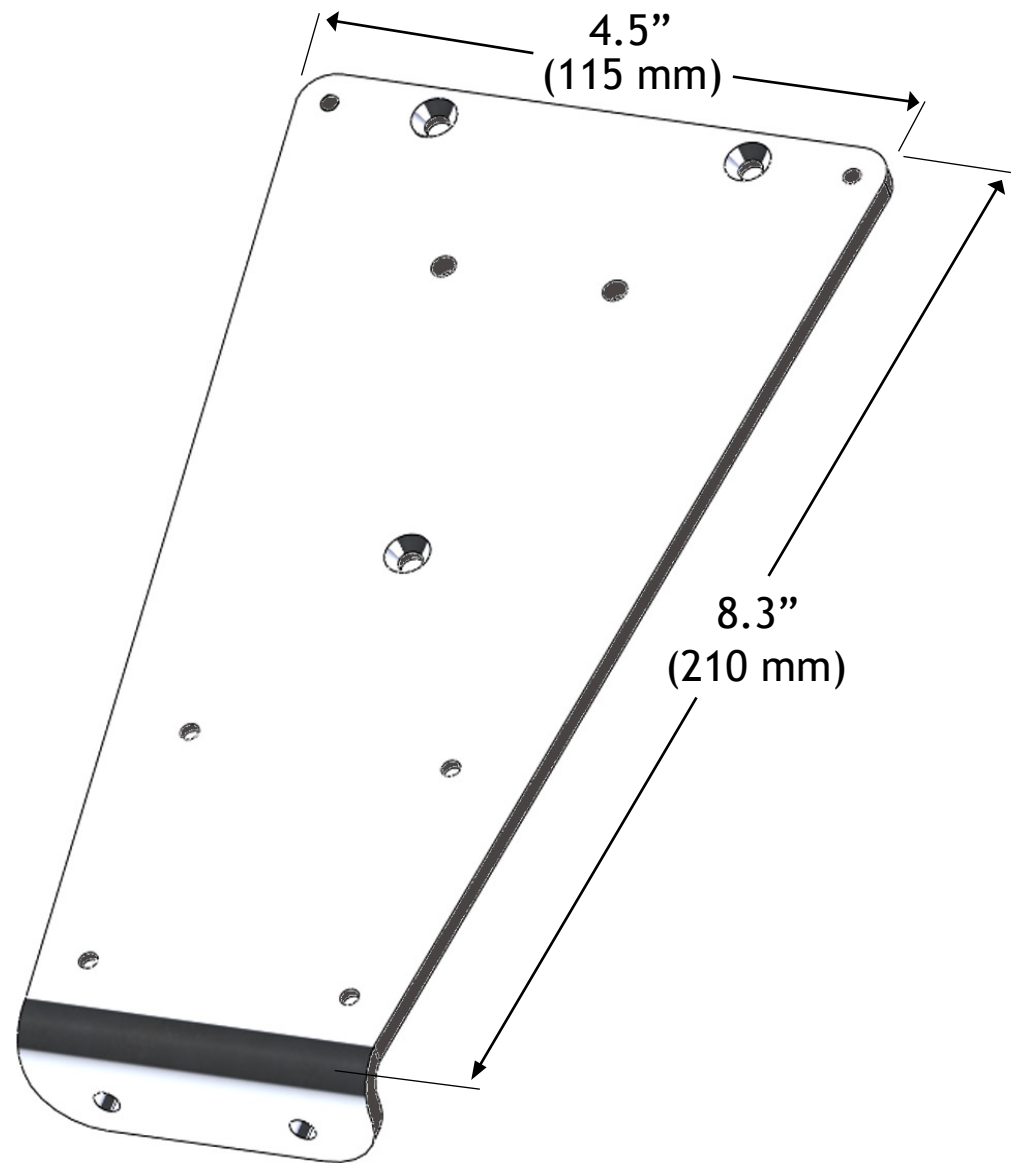


8-32 x 2" (x3)
3/8" OD x 1 1/2" Nylon Spacer (x3)

**Quick Release
Plate (QRP) to
device plate (DV2)**



8-32 x 3/8" (x4)



**Self-Adhesive Pad .9 x 3"
(22.8 x 76.2 mm)**

EyeMax



Maestro with Eye Gaze

