

Attaches to: Devices I-12 and I-15

Device Plate
DP-T2 to
device



M4-7 x 10 mm (X3)

Quick Release
Plate (QRP) to
DP-T2

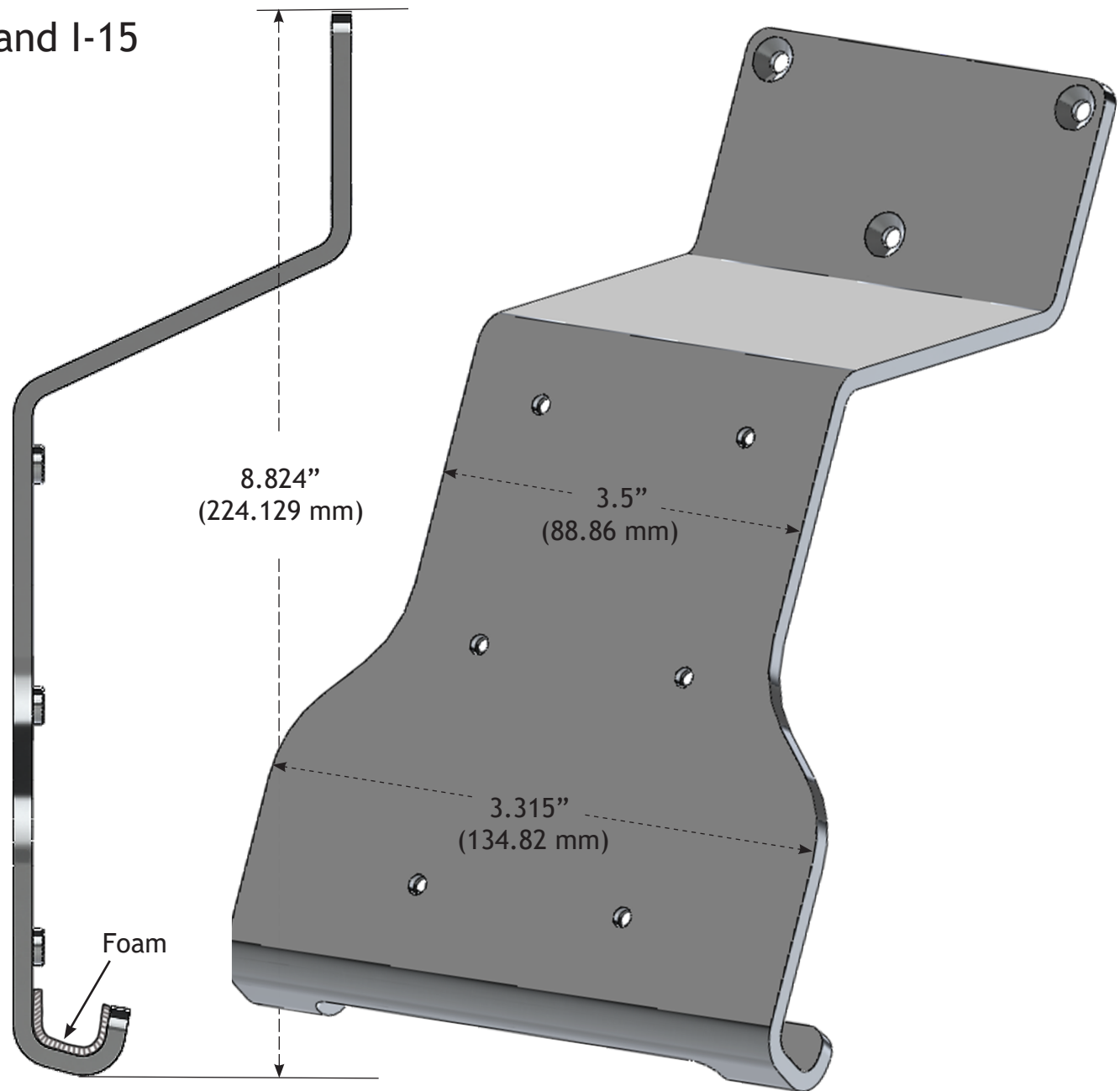


8-32 x 3/8" (x4)

Quick Connect
Plate (QCP) to
DP-T2



8-32 x 3/8" (x4)



Tobii I Device Plate Attachment Instructions

Place your Tobii face down. Remove the existing plate.



Plate removed



Place the DP-T2 plate on the device so the two hooks fit into the grooves at the base of the device (see image below left) and the three countersunk holes on the plate align with the three holes on the device where you just removed the original plate (see image below right).



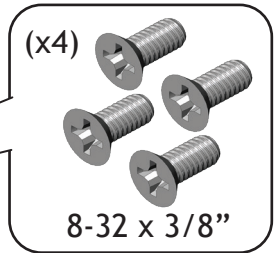
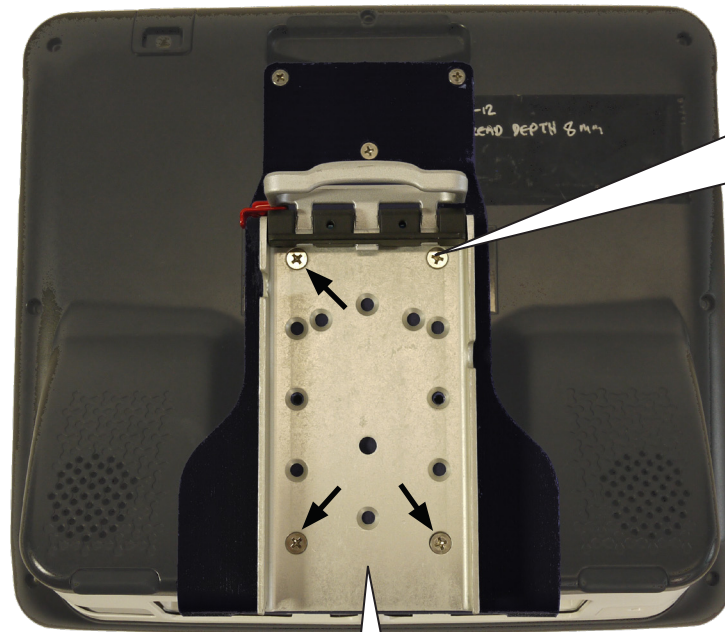
Grooves in device



Attach device plate to your Tobii 1 using the screws from the baggie labeled "DP-T2 to Device" (see image 4).

Attach the Quick Release Plate (QRP) to the DP-T2

The Quick Release Plate directly attaches to the tilt plate on the Mount'n Mover



Attach the QRP to the device plate using the screws from the included bag labeled "QRP to DP-T2"

Tobii I device mounted to Mount'n Mover with the quick release plate



Available option using the Universal Rotator (DP-UR) in addition to the QRP. Nylon spacers included with DP-UR.

Attach the Quick Connect Plate (QCP) to the DP-T2

The Quick Connect Plate attaches to the Quick Connect Receiver



Attach the DP-QCR to the DP-T2 with four screws (8-32 x 3/8th inch)



DP-QCR slides up and locks in place on the DP-QCP



Attach the Quick Release Plate (QRP) to the QCR and attach the device to the mount.