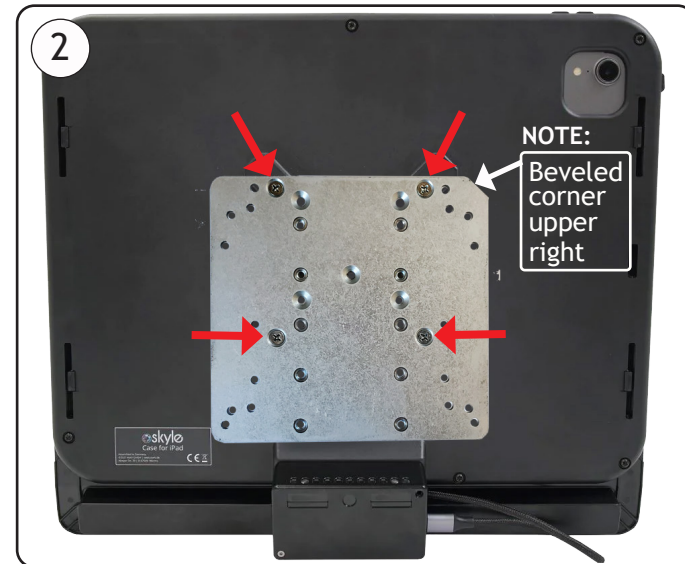


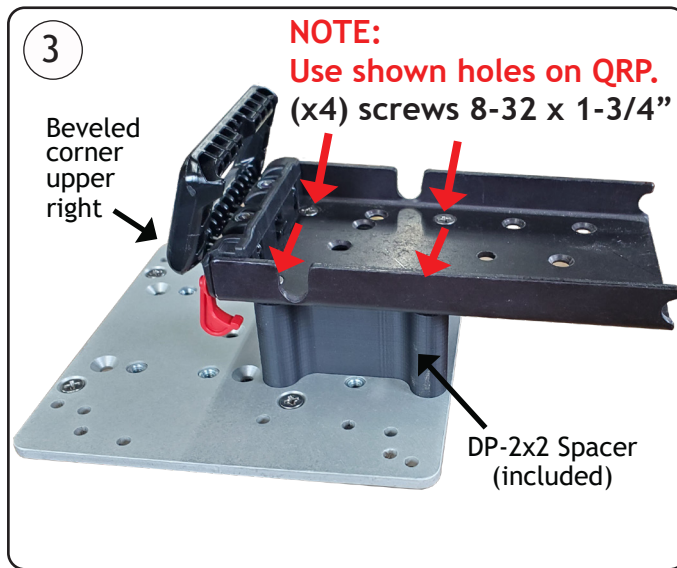
Skyle (by Inclusive TLC) attachment instructions



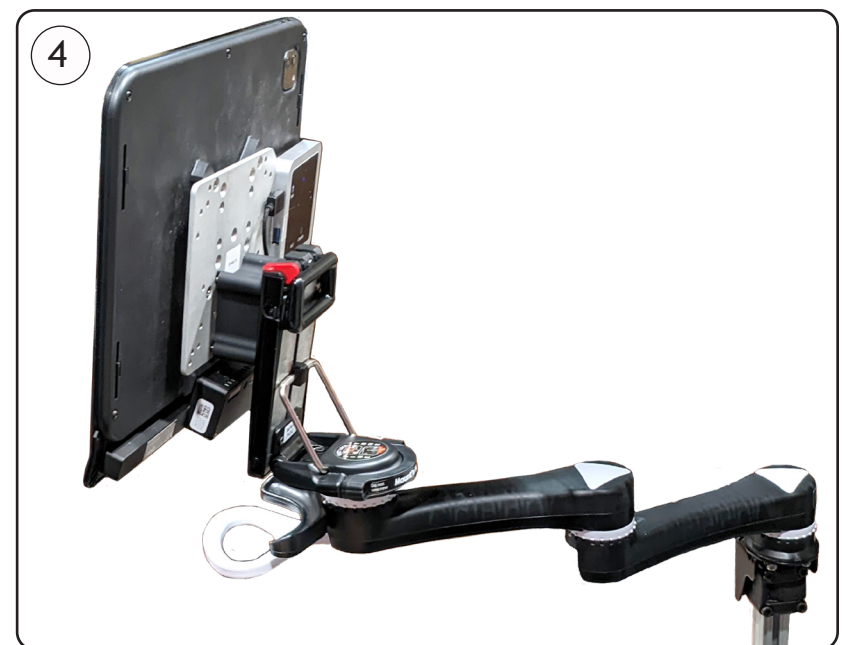
Back of Skyle has 75 VESA hole spacing.
The thread size is m4 x 10mm (x4).



Attach Multi Plate to back of Skyle device using four m4 x 10mm screws (included).



Use four 8-32 x 1- 3/4 inch screws (included) to attach the Quick Release Plate, through the DP-2x2 Spacer and into the threaded holes in the Multi Plate.



Skyle mounted to Mount'n Mover Dual Arm